



# 216/217 Maple

Oval, Under Counter  
Vitreous China Lavatories



Model 217  
(Less mounting clips,  
drain assembly  
and supply)

## Features

- Oval, under counter lavatory
- Model 216: 17-1/8" x 14-1/4" Petite oval, under counter lavatory  
Model 217: 19-3/4" x 16" Oval, under counter lavatory
- Concealed front overflow
- Available in White and Standard Colors: Biscuit and Classic Bone  
(Consult Price Book for specific colors)
- Outstanding protection — The Mansfield® limited lifetime warranty
- Complies with ADA requirements for accessibility

Model No.	Description	Approx. Wt.
216	17-1/8" x 14-1/4" Petite oval, under counter lavatory. Complete with template and installation instructions. Less mounting clips, drain assembly and supply. ADA compliant. Specify color.	11 lbs. (5 kg)
217	19-3/4" x 16" Oval, under counter lavatory. Complete with template and installation instructions. Less mounting clips, drain assembly and supply. ADA compliant. Specify color.	15 lbs. (7 kg)
CLIPS	Mounting clips: Set of four clips for under counter lavatories	



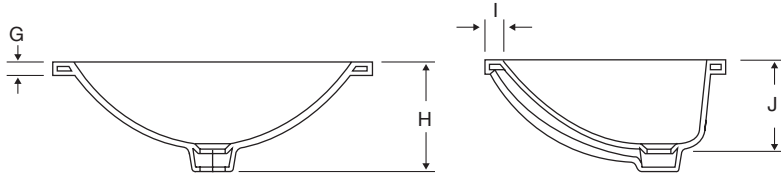
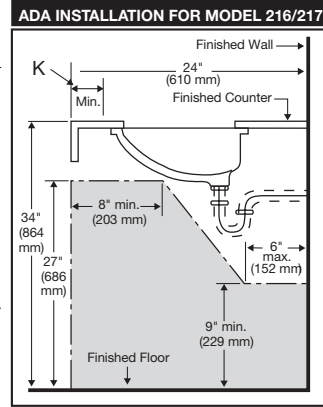
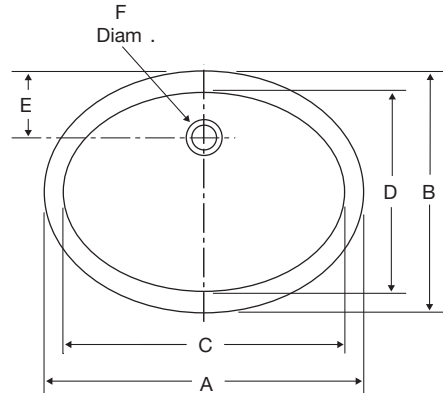
# 216/217 Maple

Oval, Under Counter  
Vitreous China Lavatories

## Technical Information

### Specifications

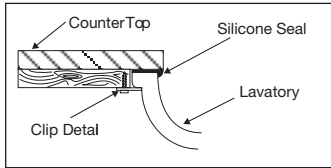
Material	Vitreous China
Size	Model 216 17-1/8" x 14-1/4" (435 mm x 362 mm) Model 217 19-3/4" x 16" (502 mm x 406 mm)
Basin	Model 216 15-1/4" x 12-1/4" (387 mm x 311 mm) Model 217 17-5/16" x 14-1/8" (440 mm x 359 mm)
Shipping Dimensions	Model 216 15-1/2" x 17-1/2" x 8-1/2" (394 mm x 445 mm x 216 mm) Model 217 17-1/4" x 20-1/4" x 7-7/8" (438 mm x 514 mm x 200 mm)
Shipping Weight	Model 216 – 13 lbs (6 kg) Model 217 – 18 lbs (8 kg)
Warranty	Limited Lifetime



These dimensions are nominal and are subject to change without prior notice.  
Fixture performance and specifications meet or exceed, ANSI/ASME A112.19.2 standards and CAN/CSA B45.0 standards, and other state and local codes.

Model	A	B	C	D	E	F	G	H	I	J	K
216	17-1/8"	14-1/4"	15-1/4"	12-1/4"	3-5/8"	1-1/2"	1/2"	7-1/2"	1-3/8"	6-1/8"	1/2"
217	19-3/4"	16"	17-5/16"	14-1/8"	3-1/4"	1-3/4"	1/2"	7-1/8"	1-1/8"	5-1/2"	1/2"

Model	A	B	C	D	E	F	G	H	I	J	K
216	435 mm	362 mm	387 mm	311 mm	92 mm	38 mm	13 mm	191 mm	35 mm	156 mm	13 mm
217	502 mm	406 mm	440 mm	359 mm	83 mm	44 mm	13 mm	181 mm	29 mm	140 mm	13 mm



NOTE: Install this product according to the installation guide.  
Fixture dimensions are nominal and conform to tolerances in ASME Standard A112.19.2

See our complete line of acrylic and vitreous china bathroom fixtures, plastic tank trim and plumbing products.

