



Built-In Gas COOKTOPS

Safety Instructions 2-6

Operating Instructions

Control Lock7
Cookware 8
Dual Stack Burner7
Flame Size 8
Lighting a Burner 7
PowerBoil™ Burner7
Sealed Gas Burners7

Care and Cleaning

Burners and
Cooktop Electrodes10
Burner Bases10
Burner Caps and Heads10
Burner Grates11
Burner Head and
Cap Replacement11
Control Knobs9
Electrodes10
Glass Cooktop12, 13
Porcelain Enamel Cooktop ...9
Shipping Film and Tape9
Stainless Steel Surfaces9

Troubleshooting Tips14, 15

Consumer Support

Consumer Support 22
Ownership Registration
for Customers in
Canada only 17, 18
Warranty (Canada)21
Warranty (U.S.)20

Write the model and serial numbers here:

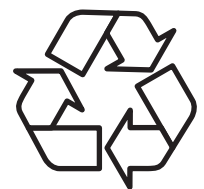
Model # _____

Serial # _____

You can find them on a label under the cooktop.

Owner's Manual

- JGP328
- JGP330
- JGP628
- JGP630
- JGP933
- JGP940
- JGP945
- JGP963
- JGP970
- JGP975



Printed on Recycled Paper

IMPORTANT SAFETY INFORMATION. READ ALL INSTRUCTIONS BEFORE USING.

⚠ WARNING: If the information in this manual is not followed exactly, a fire or explosion may result causing property damage, personal injury or death.

- Do not store or use gasoline or other flammable vapors and liquids in the vicinity of this or any other appliance.
- **WHAT TO DO IF YOU SMELL GAS**
 - Do not try to light any appliance.
 - Do not touch any electrical switch; do not use any phone in your building.
 - Immediately call your gas supplier from a neighbor's phone. Follow the gas supplier's instructions.
 - If you cannot reach your gas supplier, call the fire department.
- Installation and service must be performed by a qualified installer, service agency or the gas supplier.



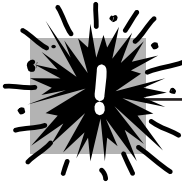
⚠ WARNING!

For your safety, the information in this manual must be followed to minimize the risk of fire or explosion, electric shock, or to prevent property damage, personal injury, or loss of life.

**IMPORTANT SAFETY NOTICE**

The California Safe Drinking Water and Toxic Enforcement Act requires the Governor of California to publish a list of substances known to the state to cause cancer, birth defects or other reproductive harm, and requires businesses to warn customers of potential exposure to such substances.

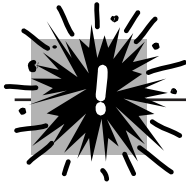
Gas appliances can cause minor exposure to four of these substances, namely benzene, carbon monoxide, formaldehyde and soot, caused primarily by the incomplete combustion of natural gas or LP fuels. Properly adjusted burners, indicated by a bluish rather than a yellow flame, will minimize incomplete combustion. Exposure to these substances can be minimized by venting with an open window or using a ventilation fan or hood.

**SAFETY PRECAUTIONS**

Have the installer show you the location of the cooktop gas shut-off valve and how to shut it off if necessary.

- Have your cooktop installed and properly grounded by a qualified installer, in accordance with the Installation Instructions. Any adjustment and service should be performed only by qualified gas cooktop installers or service technicians.
- Do not attempt to repair or replace any part of your cooktop unless it is specifically recommended in this manual. All other service should be referred to a qualified technician.
- Locate the cooktop out of kitchen traffic path and out of drafty locations to prevent pilot outage and poor air circulation.
- Plug your cooktop into a 120-volt grounded outlet only. Do not remove the round grounding prong from the plug. If in doubt about the grounding of the home electrical system, it is your personal responsibility and obligation to have an ungrounded outlet replaced with a properly grounded, three-prong outlet in accordance with the National Electrical Code. Do not use an extension cord with this appliance.
- Let the burner grates and other surfaces cool before touching them or leaving them where children can reach them.
- Be sure all packaging materials are removed from the cooktop before operating it to prevent fire or smoke damage should the packaging material ignite.
- Be sure your cooktop is correctly adjusted by a qualified service technician or installer. This counter unit, as shipped from the factory, can only be operated with natural gas. Do not try to operate it with LP (bottled) gas unless you follow the Installation Instructions packed with your cooktop. See LP Conversion Instructions.

IMPORTANT SAFETY INFORMATION. READ ALL INSTRUCTIONS BEFORE USING.



SAFETY PRECAUTIONS

- Do not leave children alone or unattended where a cooktop is hot or in operation. They could be seriously burned.

- Do not allow anyone to climb, stand or hang on the cooktop.

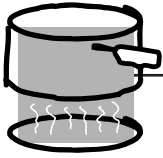
- **⚠ CAUTION:** Items of interest to children should not be stored in cabinets above a cooktop—children climbing on the cooktop to reach items could be

⚠ WARNING: *NEVER* use this appliance as a space heater to heat or warm the room. Doing so may result in carbon monoxide poisoning and overheating of the cooktop.

seriously injured.

- Always keep wooden and plastic utensils and canned food a safe distance away from your cooktop.
- Always keep combustible wall coverings, curtains or drapes a safe distance from your cooktop.
- Never wear loose-fitting or hanging garments while using the appliance. Be careful when reaching for items stored in cabinets over the cooktop. Flammable material could be ignited if brought in contact with flame or hot surfaces and may cause severe burns.
- Teach children not to play with the controls or any other part of the cooktop.
- For your safety, never use your appliance for warming or heating the room.
- Always keep dish towels, dishcloths, pot holders and other linens a safe distance

from your cooktop.

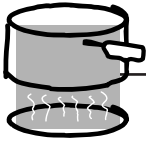


⚠ WARNING! SURFACE BURNERS

Use proper pan size—avoid pans that are unstable or easily tipped. Select cookware having flat bottoms large enough to cover burner grates. To avoid spillovers, make sure cookware is large enough to contain the food properly. This will both save cleaning time and prevent hazardous accumulations of food, since heavy spattering or spillovers left on cooktop can ignite. Use pans with handles that can be easily grasped and remain cool.

- Always use the **LITE** position when igniting the top burners and make sure the burners have ignited.
- Never leave the surface burners unattended at high flame settings. Boilovers cause smoking and greasy spillovers that may catch on fire.
- Use only dry pot holders—moist or damp pot holders on hot surfaces may result in burns from steam. Do not let pot holders come near open flames when lifting cookware. Do not use a towel or other bulky cloth in place of a pot holder. Such cloths can catch fire on a hot burner.
- When using glass cookware, make sure it is designed for cooktop cooking.
- To minimize the possibility of burns, ignition of flammable materials and spillage, turn cookware handles toward the side or back of the cooktop without extending over adjacent burners.
- Always turn the surface burner controls off before removing cookware.
- Carefully watch foods being fried at a high flame setting.
- Always heat fat slowly, and watch as it heats.
- Do not leave any items on the cooktop. The hot air from the vent may ignite flammable items and will increase pressure in closed containers, which may cause them to burst.
- If a combination of oils or fats will be used in frying, stir together before heating or as fats melt slowly.
- Do not use a wok on the cooking surface if the wok has a round metal ring that is placed over the burner grate to support the wok. This ring acts as a heat trap, which may damage the burner grate and burner head. Also, it may cause the burner to work improperly. This may cause a carbon monoxide level above that allowed by current standards, resulting in a health hazard.
- Foods for frying should be as dry as possible. Frost on frozen foods or moisture on fresh foods can cause hot fat to bubble up and over the sides of the pan.
- Use the least possible amount of fat for effective shallow or deep-fat frying. Filling the pan too full of fat can cause spillovers when food is added.
- Use a deep fat thermometer whenever possible to prevent overheating fat beyond the smoking point.
- Never try to move a pan of hot fat, especially a deep-fat fryer. Wait until the fat is cool.
- When preparing flaming foods under the hood, turn the fan on.
- Do not leave plastic items on the cooktop—they may melt if left too close to the vent.
- Keep all plastics away from the surface burners.
- If you smell gas, turn off the gas to the cooktop and call a qualified service technician. Never use an open flame to locate a leak.
- To avoid the possibility of a burn, always be certain that the controls for all burners are at the off position and all grates are cool before attempting to remove them.

IMPORTANT SAFETY INFORMATION. READ ALL INSTRUCTIONS BEFORE USING.



SURFACE BURNERS

Adjust the top burner flame size so it does not extend beyond the edge of the cookware. Excessive flame is hazardous.

- Clean the cooktop surface with caution. If a wet sponge or cloth is used to wipe spills on a hot surface, be careful to avoid steam burns. Some cleaners can produce noxious fumes if applied to a hot surface.

NOTE: We recommend that you avoid wiping any surface areas until they have cooled. Sugar spills are the exception to this. Please see *Cleaning the glass cooktop surface* section.
- When the cooktop is cool, use only CERAMA BRYTE® Ceramic Cooktop Cleaner and the CERAMA BRYTE® Cleaning Pad to clean the cooktop.
- To avoid possible damage to the cooking surface, do not apply cleaning cream to the glass surface when it is hot.
- After cleaning, use a dry cloth or paper towel to remove all cleaning cream residue.
- Read and follow all instructions and warnings on the cleaning cream labels.
- Never clean the cooktop surface when it is hot. Some cleaners produce noxious fumes and wet cloths could cause steam burns if used on a hot surface.
- Never leave jars or cans of fat drippings on or near your cooktop.
- Don't use aluminum foil to line burner bowls. Misuse could result in a fire hazard or damage to the cooktop.
- Do not cover or block the area around the cooktop knobs. This area must be kept clear for proper ventilation and burner performance.
- Large scratches or impacts to glass cooktops can lead to broken or shattered glass.
- Clean only parts listed in this Owner's Manual.



COOK MEAT AND POULTRY THOROUGHLY...

Cook meat and poultry thoroughly—meat to at least an INTERNAL temperature of 160°F and poultry to at least an INTERNAL temperature of 180°F. Cooking to these temperatures usually protects against foodborne illness.



LP CONVERSION KIT

Your cooktop is shipped from the factory set to operate only with Natural Gas.

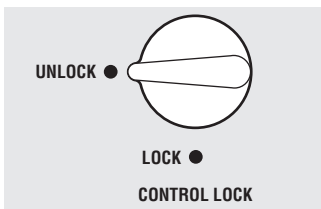
If you wish to use your cooktop with Liquefied Petroleum Gas, you must follow the Installation Instructions packed with your cooktop. See LP Conversion Instructions. This conversion must be performed by a qualified technician.



READ AND FOLLOW THIS SAFETY INFORMATION CAREFULLY.
SAVE THESE INSTRUCTIONS

Using the cooktop burners.

Throughout this manual, features and appearance may vary from your model.

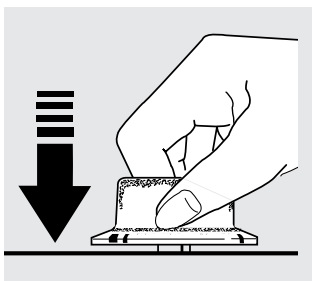


Control Lock (on some models)

To lock the cooktop and prevent unwanted use, turn the control lock knob counterclockwise to **LOCK**. An indicator light will glow to show that the cooktop is locked.

When locked, the cooktop will sound if any control knob is set to any position other than **OFF**.

To unlock, turn the control lock knob to **UNLOCK**.



How to Light a Burner

Make sure the control lock knob is in the **UNLOCK** position.

Your cooktop burners are lit by electric ignition, eliminating the need for standing pilot lights with constantly burning flames.

Push the control knob down and turn it to the **LITE** position. After the burner ignites, turn the knob to adjust the flame size. To turn the burner off, turn the knob clockwise as far as it will go, to the **OFF** position.

■ Check to be sure the burner you turn on is the one you want to use.

■ Be sure you turn the control knob to **OFF** when you finish cooking.

■ In case of a power failure, you can light the burners with a match. Hold a lit match to the burner; then push in and turn the control knob to the **LITE** position. Use extreme caution when lighting burners this way. Burners in use when an electrical power failure occurs will continue to operate normally.

■ Do not operate the burner for an extended period of time without cookware on the grate. The finish on the grate may chip without cookware to absorb the heat.

■ Be sure the burners and grates are cool before you place your hand, a pot holder, cleaning cloths or other materials on them.

Sealed Gas Burners

The smallest burner in the right rear and the center burner (on some models) are the simmer burners. These burners can be turned down to **LO** or **SIMMER** (depending on model) for a very low setting. They provide precise cooking performance for delicate foods such as sauces or foods that require low heat for a long cooking time.

The medium (left rear) and the large (left front) burners are the general-purpose burners that can be turned down from **HI** to **LO** to suit a wide range of cooking needs.

Dual Stack Burner (on some models)

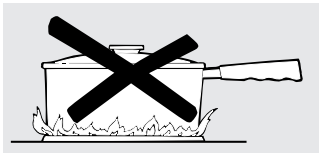
The extra large right front burner has maximum heating and precise simmer capability. It can be turned down from **PowerBoil™** to **SIMMER** for a wide range of cooking applications.

PowerBoil™ Burner (on some models)

The extra large right front burner has special **PowerBoil™** settings. This feature should only be used with cookware 11" or larger in diameter, and flames should

never be allowed to extend up the sides of the cookware. This feature is designed to quickly bring large amounts of liquid in pots 11" or larger in diameter to a boil.

Using the cooktop burners.

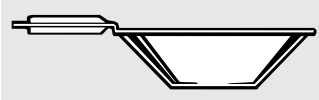


How to Select Flame Size

For safe handling of cookware, never let the flames extend up the sides of the cookware.

Watch the flame, not the knob, as you reduce heat. The flame size on a gas burner should match the cookware you are using.

Any flame larger than the bottom of the cookware is wasted and only serves to heat the handle.



Use a flat-bottomed wok.

Wok This Way

We recommend that you use a 14-inch or smaller flat-bottomed wok. They are available at your local retail store.

Only a flat-bottomed wok should be used. Make sure the wok bottom sits flat on the grate.

Do not use a wok support ring. Placing the ring over the burner or grate may cause the burner to work improperly, resulting in carbon monoxide levels above allowable standards. This could be dangerous to your health.



Cookware

Aluminum: Medium-weight cookware is recommended because it heats quickly and evenly. Most foods brown evenly in aluminum cookware. Use saucepans with tight-fitting lids when cooking with minimum amounts of water.

Enamelware: Under some conditions, the enamel of some cookware may melt. Follow cookware manufacturer's recommendations for cooking methods.

Glass: There are two types of glass cookware: those for oven use only and those for cooktop cooking (saucepans, coffee and tea pots). Glass conducts heat very slowly.

Cast Iron: If heated slowly, most cookware will give satisfactory results.

Heatproof Glass-Ceramic: Can be used for either surface or oven cooking. It conducts heat very slowly and cools very slowly. Check cookware manufacturer's directions to be sure it can be used on a gas cooktop.

Stainless Steel: This metal alone has poor heating properties and is usually combined with copper, aluminum or other metals for improved heat distribution. Combination metal cookware usually works satisfactorily if it is used with medium heat as the manufacturer recommends.

Home Canning Tips

Be sure the canner is centered over the burner.

To prevent burns from steam or heat, use caution when canning.

Use recipes and procedures from reputable sources. These are available from manufacturers such as Ball® and Kerr® and the Department of Agriculture Extension Service.

Care and cleaning of the cooktop.

GEAppliances.com

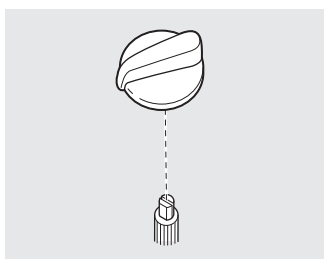
Be sure electrical power is off and all surfaces are cool before cleaning any part of the cooktop.

How to Remove Protective Shipping Film and Packaging Tape

Carefully grasp a corner of the protective shipping film with your fingers and slowly peel it from the appliance surface. Do not use any sharp items to remove the film. Remove all of the film before using the appliance for the first time.

To assure no damage is done to the finish of the product, the safest way to remove the adhesive left from packaging tape on new appliances is an application of a household liquid dishwashing detergent. Apply with a soft cloth and allow to soak.

NOTE: The adhesive must be removed from all parts before using the cooktop. It cannot be removed if it is baked on.



Control Knobs

The control knobs may be removed for easier cleaning.

Make sure the knobs are in the **OFF** positions and pull them straight off the stems for cleaning.

The knobs can be cleaned in a dishwasher or they may also be washed with soap and water. Make sure the insides of the knobs are dry before replacing.

Replace the knobs in the **OFF** position to ensure proper placement.

Pull the knob straight up off the stem.

Porcelain Enamel Cooktop (on some models)

The porcelain enamel finish is sturdy but breakable if misused. This finish is acid-resistant. However, any acidic foods spilled (such as fruit juices, tomato or vinegar) should not be permitted to remain on the finish.

If acids spill on the cooktop while it is hot, use a dry paper towel or cloth to wipe it up right away. When the surface has cooled, wash with an all-purpose cleaner and water. Rinse well.

For other spills such as fat splatterings, wash with soap and water or an all-purpose cleaner after the surface has cooled. Rinse well. Polish with a dry cloth.

Stainless Steel Surfaces (on some models)

Do not use a steel wool pad; it will scratch the surface.

To clean the stainless steel surface, use warm sudsy water or a stainless steel cleaner or polish. Always wipe the surface in the direction of the grain. Follow the cleaner instructions for cleaning the stainless steel surface.

To inquire about purchasing stainless steel appliance cleaner or polish, or to find the location of a dealer or Camco Parts Store nearest you, please call our toll-free number:

**National Parts Center 1.800.626.2002 (U.S.)
1.800.661.1616 (Canada)**

**GEAppliances.com (U.S.)
www.GEAppliances.ca (Canada)**

Safety Instructions

Operating Instructions

Care and Cleaning

Troubleshooting Tips

Consumer Support

Care and cleaning of the cooktop.

CAUTION:
DO NOT OPERATE A BURNER
WITHOUT ALL BURNER PARTS
IN PLACE.

Burners and Cooktop Electrodes

Turn all controls off before removing burner parts.

NOTE: Before removing the burner caps and heads, remember their size and location. Replace them in the same location after cleaning.

The burner assemblies should always be kept clean. Spillovers should be cleaned immediately; they can clog the openings in the burner assemblies.

Remove the burner grates, burner caps and burner heads for easy cleaning.

NOTES:

- Do not attempt to remove the electrode from the cooktop or any screws from the burner head or burner base.
- Do not use steel wool or scouring powders to clean the burners.

Burner Caps and Heads

Wash burner caps and burner heads in hot, soapy water and rinse with clean running water. You may scour with a plastic scouring pad to remove burned-on food particles.

Use a sewing needle or twist tie to unclog the small holes in the burner head, if required.

To remove burned-on food, soak the burner heads in a solution of mild liquid dishwashing detergent and hot water for up to 20–30 minutes, if required. For more stubborn stains, use a toothbrush.

If the spill went inside the burner head assembly (right front burner on models JGP945 and JGP975), wash it under running water. Shake to remove any excess water. Air dry and make sure the small ignitor holes are open.

NOTE: Do not wash any burner parts in a dishwasher.

Burner Bases

The burner bases should not be removed for cleaning.

To clean the burner bases, use soapy water and a plastic scouring pad. Make sure that no water gets into the burner bases and the brass gas orifices.

Wipe clean with a damp cloth. Allow them to dry fully before using.

Cooktop Electrode

Clean this metal part



Do not clean this white ceramic part with an emery board

NOTE: Do not attempt to remove the electrode from the cooktop.

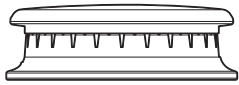
Electrodes

The electrode of the spark igniter is exposed beyond the surface of the burner base. When cleaning the cooktop, be careful not to snag the electrode of the spark igniter with your cleaning cloth. Damage to the igniter could occur.

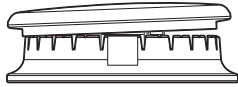
Be careful not to push in any cooktop controls while cleaning the cooktop. A slight electrical shock might result which could cause you to knock over hot cookware.

Make sure that the white ceramic electrodes in the cooktop are clear of soil and dry. Clean the metal part of the electrode with a soft cloth. For stubborn, hardened soil, clean the metal portion of the electrode with an emery board. Do not clean the white ceramic portion of the electrode with the emery board. It is acceptable to clean the white portion of the electrode with a soft cloth, but not with an emery board.

Before reassembling the surface burners, push down on each of the white ceramic electrodes to make sure they are pressed against the burner bases.



Burner cap properly seated



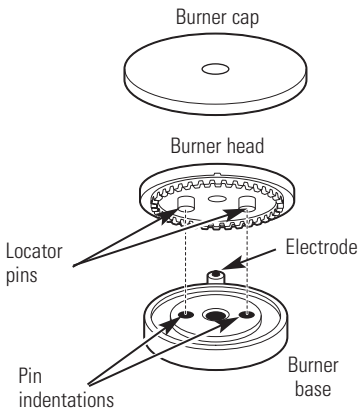
Burner cap not properly seated

Burner Head and Cap Replacement

Replace the burner head onto the burner base, making sure that the head is properly oriented over the burner base and the electrode. Make sure to place the correct burner head on the correct burner base and that the burner head sits level on the burner base. The burner heads are not interchangeable.

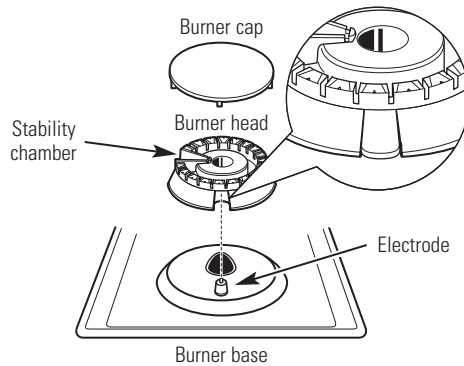
Replace the burner cap onto the burner head, making sure to place the correct burner cap on the correct burner head. The burner caps are not interchangeable. Also, make sure that the burner caps are properly seated on the burner heads.

JGP940 and JGP970 (all burners)
JGP933 and JGP963
(right front burner only)



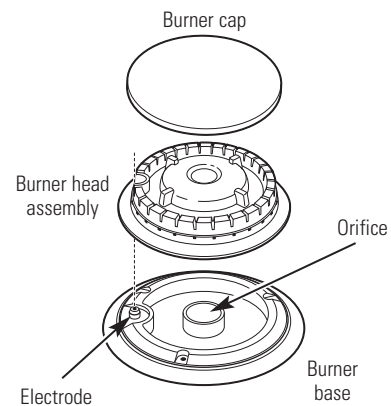
Make sure the pins in the burner heads match the burner base indentations and that they are properly seated in them by rotating the heads until they are level.

JGP328, JGP330, JGP628, JGP630,
JGP933, JGP945, JGP963, JGP975



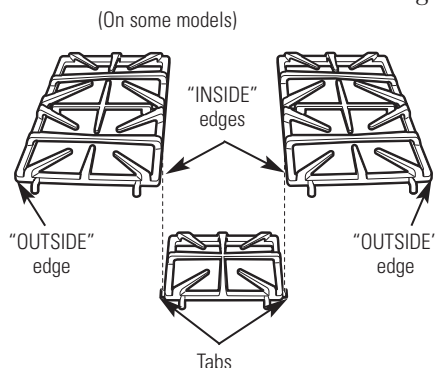
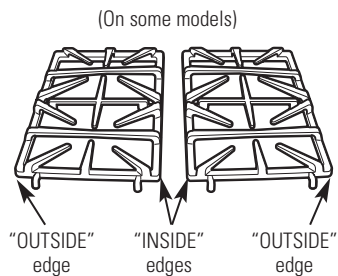
Make sure the slot in the burner head is positioned over the electrode. The burner cap has three to four pins. When replacing the cap, make sure none of the pins sits in the stability chamber.

JGP945 and JGP975
(right front burner only)



Make sure the hole in the burner head assembly is positioned over the electrode and that the burner head is fully inserted inside the burner base. A small gap between the base and head is normal.

Burner Grates



Your cooktop has professional style grates. These grates are designed for specific positions. These grates should only be used in their proper positions; they should not be interchanged. For your convenience, the undersides of the left and right grates are marked "OUTSIDE" and "INSIDE". Make sure that the sides marked "OUTSIDE" are facing the outer edge of the cooktop and the sides marked "INSIDE" are facing each other. All grates should touch once they are fully assembled on the cooktop surface.

For cooktops with three grates, make sure that the tabs on either side of the center grate fit into the slots located on the "INSIDE" edge of the side grates.

Lift the burner grates out only when cool. Grates should be washed regularly and, of course, after spills. Wash them in the dishwasher or in hot, soapy water and rinse with clean water. When replacing the grates, be sure they are positioned securely over the burners.

Although they are durable, the grates will gradually lose their shine, regardless of the best care you can give them. This is due to their continual exposure to high temperatures. You will notice this sooner with lighter color grates.

Do not operate a burner for an extended period of time without cookware on the grate. The finish on the grate may chip without cookware to absorb the heat.

NOTE: Do not clean the grates in a self-cleaning oven.

Cleaning the glass cooktop surface. (on some models)



Clean your cooktop after each spill. Use CERAMA BRYTE® Ceramic Cooktop Cleaner.

Normal Daily Use Cleaning

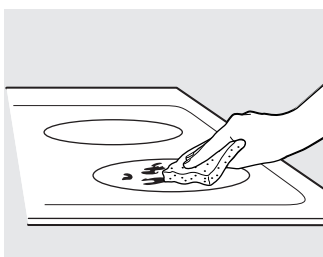
ONLY use CERAMA BRYTE® Ceramic Cooktop Cleaner on the glass cooktop. Other creams may not be as effective.

To maintain and protect the surface of your glass cooktop, follow these steps:

- 1 Before using the cooktop for the first time, remove the burner grates and clean the cooktop with CERAMA BRYTE® Ceramic Cooktop Cleaner. This helps protect the top and makes cleanup easier.
- 2 Daily use of CERAMA BRYTE® Ceramic Cooktop Cleaner will help keep the cooktop looking new.

- 3 Shake the cleaning cream well. Apply a few drops of CERAMA BRYTE® Ceramic Cooktop Cleaner directly to the cooktop.
- 4 Use a paper towel or CERAMA BRYTE® Cleaning Pad for Ceramic Cooktops to clean the entire cooktop surface.
- 5 Use a dry cloth or paper towel to remove all cleaning residue. No need to rinse.

NOTE: It is very important that you **DO NOT** heat the cooktop until it has been cleaned thoroughly.



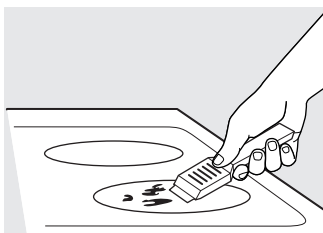
Use a CERAMA BRYTE® Cleaning Pad for Ceramic Cooktops.

Burned-On Residue

⚠ WARNING: DAMAGE to your glass surface may occur if you use scrub pads other than those recommended.

- 1 Allow the cooktop to cool.
- 2 Remove the burner grates and spread a few drops of CERAMA BRYTE® Ceramic Cooktop Cleaner on the entire burned residue area.
- 3 Using the included CERAMA BRYTE® Cleaning Pad for Ceramic Cooktops, rub the residue area, applying pressure as needed.

- 4 If any residue remains, repeat the steps listed above as needed.
- 5 For additional protection, after all residue has been removed, polish the entire surface with CERAMA BRYTE® Ceramic Cooktop Cleaner and a paper towel.



The CERAMA BRYTE® Ceramic Cooktop Scraper and all recommended supplies are available through our Parts Center. See instructions under "To Order Parts" section on next page.

NOTE: Do not use a dull or nicked blade.

Heavy, Burned-On Residue

- 1 Allow the cooktop to cool.
- 2 Remove the burner grates. Use a single-edge razor blade scraper at approximately a 45° angle against the glass surface and scrape the soil. It will be necessary to apply pressure to the razor scraper in order to remove the residue.
- 3 After scraping with the razor scraper, spread a few drops of CERAMA BRYTE® Ceramic Cooktop Cleaner on the entire burned residue area. Use the CERAMA BRYTE® Cleaning Pad to remove any remaining residue.

- 4 For additional protection, after all residue has been removed, polish the entire surface with CERAMA BRYTE® Ceramic Cooktop Cleaner and a paper towel.

Metal Marks and Scratches

1 Be careful not to slide pots and pans across your cooktop. It will leave metal markings on the cooktop surface.

These marks are removable using the CERAMA BRYTE® Ceramic Cooktop Cleaner with the CERAMA BRYTE® Cleaning Pad for Ceramic Cooktops.

2 If pots with a thin overlay of aluminum or copper are allowed to boil dry, the overlay may leave black discoloration on the cooktop.

This should be removed immediately before heating again or the discoloration may be permanent.

! WARNING: Carefully check the bottom of pans for roughness that would scratch the cooktop.

Glass surface—potential for permanent damage.

Our testing shows that if you are cooking high sugar mixtures such as jelly or fudge and have a spillover, it can cause permanent damage to the glass surface unless the spillover is immediately removed.

Damage from Sugary Spills and Melted Plastic

1 Turn off all surface burners and, with an oven mitt, remove hot pans and grates.

2 Wearing an oven mitt:
a. Use a single-edge razor blade scraper (CERAMA BRYTE® Ceramic Cooktop Scraper) to move the spill to a cool area on the cooktop.

b. Remove the spill with paper towels.

3 Any remaining spillover should be left until the surface of the cooktop has cooled.

4 Don't use the surface units again until all of the residue has been completely removed.

NOTE: If pitting or indentation in the glass surface has already occurred, the cooktop glass will have to be replaced. In this case, service will be necessary.

To Order Parts

To order CERAMA BRYTE® Ceramic Cooktop Cleaner and the cooktop scraper, please call our toll-free number:




- National Parts Center** **800.626.2002.**
- CERAMA BRYTE® Ceramic Cooktop Cleaner**# WX10X300
- CERAMA BRYTE® Ceramic Cooktop Scraper**# WX10X0302
- Kit**# WB64X5027
(Kit includes cream and cooktop scraper)
- CERAMA BRYTE® Cleaning Pads for Ceramic Cooktops**# WX10X350

Before you call for service...



Troubleshooting Tips

Save time and money! Review the charts on these pages first and you may not need to call for service.

Problem	Possible Causes	What To Do
Burners have yellow or yellow-tipped flames	The combustion quality of burner flames needs to be determined visually.	<ul style="list-style-type: none"> Use the illustrations below to determine if your burner flames are normal. If burner flames look like A, call for service. Normal burner flames should look like B or C, depending on the type of gas you use. With LP gas, some yellow tipping on outer cones is normal.
		<div style="display: flex; justify-content: space-around; align-items: center;"> <div style="text-align: center;">  <p>A–Yellow flames Call for service</p> </div> <div style="text-align: center;">  <p>B–Yellow tips on outer cones Normal for LP gas</p> </div> <div style="text-align: center;">  <p>C–Soft blue flames Normal for natural gas</p> </div> </div>
Control knobs will not turn	Knob isn't pushed down.	<ul style="list-style-type: none"> To turn from the OFF position, push the knob down and then turn.
Burners do not light	Plug on cooktop is not completely inserted in the electrical outlet.	<ul style="list-style-type: none"> Make sure electrical plug is plugged into a live, properly grounded outlet.
	Gas supply not connected or turned on.	<ul style="list-style-type: none"> See the Installation Instructions that came with your cooktop.
	A fuse in your home may be blown or the circuit breaker tripped.	<ul style="list-style-type: none"> Replace the fuse or reset the circuit breaker.
	Burner parts not replaced correctly.	<ul style="list-style-type: none"> See the <i>Care and cleaning of the cooktop</i> section.
	The electrodes under the burners are soiled.	<ul style="list-style-type: none"> See the <i>Care and cleaning of the cooktop</i> section.
	The white ceramic electrodes are not securely seated under the burners.	<ul style="list-style-type: none"> See the <i>Care and cleaning of the cooktop</i> section.
	Cooktop is locked.	<ul style="list-style-type: none"> Unlock the cooktop. See the <i>Using the cooktop burners</i> section.
Ticking sound of spark igniter persists after burner lights	Control knob is still in the LITE position.	<ul style="list-style-type: none"> Turn the knob out of the LITE position to the desired setting. Turn the burner off and relight. If ticking is still present, call for service.
	Burner flames very large or yellow	<ul style="list-style-type: none"> If cooktop is connected to LP gas, check all steps in the Installation Instructions that came with your cooktop.

Problem	Possible Causes	What To Do
Cooktop makes sound when a control knob is turned on	The cooktop is locked (on some models).	<ul style="list-style-type: none"> • Turn the control lock knob to UNLOCK.
Scratches on cooktop glass surface	<p>Cookware has been slid across the cooktop surface, leaving deposits.</p> <p>Incorrect cleaning methods being used.</p> <p>Cookware with rough bottoms being used or coarse particles (salt or sand) were between the cookware and the surface of the cooktop.</p>	<ul style="list-style-type: none"> • See the <i>Cleaning the glass cooktop surface</i> section. • Scratches are not removable. Tiny scratches will become less visible in time as a result of cleaning. • To avoid scratches, use the recommended cleaning procedures. Make sure bottoms of cookware are clean before use, and use cookware with smooth bottoms.
Areas of discoloration on the glass cooktop surface	<p>Hot surface on a model with a light-colored cooktop.</p> <hr/> <p>Food spillovers not cleaned before next use.</p>	<ul style="list-style-type: none"> • This is normal. The surface may appear discolored when it is hot. This is temporary and will disappear as the glass cools. • See the <i>Cleaning the glass cooktop surface</i> section.
Plastic melted to the glass cooktop surface	Hot cooktop came into contact with plastic placed on the hot cooktop.	<ul style="list-style-type: none"> • See the <i>Glass surface—potential for permanent damage</i> section in the <i>Cleaning the glass cooktop surface</i> section.
Pitting (or indentation) of the cooktop	Hot sugar mixture spilled on the cooktop.	<ul style="list-style-type: none"> • Call a qualified technician for replacement.

Consumer Support
Troubleshooting Tips
Care and Cleaning
Operating Instructions
Safety Instructions

Notes.

Please place in envelope and mail to:
Veuillez mettre dans une enveloppe et envoyez à :

**OWNERSHIP REGISTRATION
P.O. BOX 1780
MISSISSAUGA, ONTARIO
L4Y 4G1**

(FOR CANADIAN CONSUMERS ONLY)



For Canadian
Customers



Pour les
Consommateurs
Canadiens

CUT ALONG THIS LINE AND RETURN CARD—THANKS

OWNERSHIP REGISTRATION CERTIFICATE – FICHE D'INSCRIPTION DU PROPRIÉTAIRE

Please register your product to enable us to contact you in the remote event a safety notice is issued for this product and to allow for efficient communication under the terms of your warranty, should the need arise.

Veillez enregistrer votre produit afin de nous permettre de communiquer avec vous si jamais un avis de sécurité concernant ce produit était émis et de communiquer facilement avec vous en vertu de votre garantie, si le besoin s'en fait sentir.

REGISTER ON-LINE: ENREGISTREMENT SUR INTERNET À:		www.geappliances.ca		MAIL TO: POSTER À:	P.O. BOX 1780, MISSISSAUGA ONTARIO, L4Y 4G1
<input type="checkbox"/> MR./M	<input type="checkbox"/> MRS./MME.	FIRST NAME / PRÉNOM		LAST NAME / NOM	
<input type="checkbox"/> MISS/MLE.	<input type="checkbox"/> MS.				
STREET NO / N° RUE		STREET NAME / RUE			APT. NO / APP. / RR#
CITY / VILLE				PROVINCE	POSTAL CODE / POSTAL
AREA CODE / IND. RÉG.	TELEPHONE	E-MAIL			
DID YOU PURCHASE A SERVICE CONTRACT FOR THIS APPLIANCE? AVEZ-VOUS ACHETÉ UN CONTRAT DE SERVICE POUR CET APPAREIL ?				YES / OUI <input type="checkbox"/>	IF YES / SI OUI: EXPIRATION Y/A M D/J
				NO / NON <input type="checkbox"/>	
NAME OF SELLING DEALER / NOM DU MARCHAND				MODEL / MODÈLE	
INSTALLATION DATE / DATE D'INSTALLATION Y/A M D/J		CORRESPONDENCE CORRESPONDANCE	<input type="checkbox"/> ENGLISH <input type="checkbox"/> FRANÇAIS	SERIAL / SÉRIE	
<input type="checkbox"/> I do not wish to receive any promotional offers regarding this product. <input type="checkbox"/> Je ne désire pas recevoir d'offres promotionnelles concernant ce produit.					

Notes.

<i>Safety Instructions</i>	<i>Operating Instructions</i>	<i>Care and Cleaning</i>	<i>Troubleshooting Tips</i>	<i>Consumer Support</i>
----------------------------	-------------------------------	--------------------------	-----------------------------	-------------------------

GE Gas Cooktop Warranty. (For Customers in the United States)



All warranty service provided by our Factory Service Centers, or an authorized Customer Care® technician. To schedule service, visit us on-line at GEAppliances.com, or call 800.GE.CARES (800.432.2737). Please have serial number and model number available when calling for service.

Staple your receipt here.
Proof of the original purchase date is needed to obtain service under the warranty.

For The Period Of:

GE Will Replace:

One Year

From the date of the original purchase

Any part of the cooktop which fails due to a defect in materials or workmanship. During this **limited one-year warranty**, GE will also provide, **free of charge**, all labor and related service costs to replace the defective part.

What GE Will Not Cover:

- Service trips to your home to teach you how to use the product.
- Improper installation, delivery or maintenance.
- Failure of the product if it is abused, misused, or used for other than the intended purpose or used commercially.
- Replacement of house fuses or resetting of circuit breakers.
- Damage to the product caused by accident, fire, floods or acts of God.
- Incidental or consequential damage caused by possible defects with this appliance.
- Damage caused after delivery.
- Product not accessible to provide required service.

EXCLUSION OF IMPLIED WARRANTIES—Your sole and exclusive remedy is product repair as provided in this Limited Warranty. Any implied warranties, including the implied warranties of merchantability or fitness for a particular purpose, are limited to one year or the shortest period allowed by law.

This warranty is extended to the original purchaser and any succeeding owner for products purchased for home use within the USA. If the product is located in an area where service by a GE Authorized Servicer is not available, you may be responsible for a trip charge or you may be required to bring the product to an Authorized GE Service location for service. In Alaska, the warranty excludes the cost of shipping or service calls to your home.

Some states do not allow the exclusion or limitation of incidental or consequential damages. This warranty gives you specific legal rights, and you may also have other rights which vary from state to state. To know what your legal rights are, consult your local or state consumer affairs office or your state's Attorney General.

Warrantor: General Electric Company, Louisville, KY 40225

Gas Cooktop Warranty. *(For Customers in Canada)*



All warranty service provided by our Factory Service Centres or an authorized Customer Care® technician. To schedule service, visit us on-line at www.GEAppliances.ca or call 1.800.561.3344. Please have serial number and model number available when calling for service.

Staple your receipt here.
Proof of the original purchase date is needed to obtain service under the warranty.

For The Period Of:

Mabe Will Replace:

One Year

From the date of the original purchase

Any part of the cooktop which fails due to a defect in materials or workmanship. During this **limited one-year warranty**, Mabe will also provide, **free of charge**, all labor and related service costs to replace the defective part.

What Mabe Will Not Cover:

- Service trips to your home to teach you how to use the product.
- Improper installation, delivery or maintenance.
- Failure of the product if it is abused, misused, or used for other than the intended purpose or used commercially.
- Replacement of house fuses or resetting of circuit breakers.
- Damage to the product caused by accident, fire, floods or acts of God.
- Incidental or consequential damage caused by possible defects with this appliance.
- Damage caused after delivery.
- Product not accessible to provide required service.

EXCLUSION OF IMPLIED WARRANTIES—Your sole and exclusive remedy is product repair as provided in this Limited Warranty. Any implied warranties, including the implied warranties of merchantability or fitness for a particular purpose, are limited to one year or the shortest period allowed by law.

This warranty is extended to the original purchaser and any succeeding owner for products purchased in Canada for home use within Canada. In-home warranty service will be provided in areas where it is available and deemed reasonable by Mabe to provide.

Some provinces do not allow the exclusion or limitation of incidental or consequential damages, so the above exclusion may not apply to you. This warranty gives you specific legal rights, and you may also have other rights which vary from province to province. To know what your legal rights are in your province, consult your local or provincial consumer affairs office.

**Warrantor: Mabe Canada Inc.,
Burlington, Ontario**

Safety Instructions

Operating Instructions

Care and Cleaning

Troubleshooting Tips

Consumer Support

Consumer Support.



GE Appliances Website

In the U.S.: **GEAppliances.com**

Have a question or need assistance with your appliance? Try the GE Appliances Website 24 hours a day, any day of the year! For greater convenience and faster service, you can now download Owner's Manuals, order parts or even schedule service on-line. **In Canada: www.GEAppliances.ca**



Schedule Service

In the U.S.: **GEAppliances.com**

Expert GE repair service is only one step away from your door. Get on-line and schedule your service at your convenience any day of the year! Or call 800.GE.CARES (800.432.2737) during normal business hours.

In Canada, call 1.800.561.3344



Real Life Design Studio

In the U.S.: **GEAppliances.com**

GE supports the Universal Design concept—products, services and environments that can be used by people of all ages, sizes and capabilities. We recognize the need to design for a wide range of physical and mental abilities and impairments. For details of GE's Universal Design applications, including kitchen design ideas for people with disabilities, check out our Website today. For the hearing impaired, please call 800.TDD.GEAC (800.833.4322).

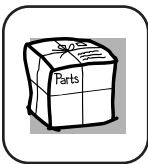
In Canada, contact: Manager, Consumer Relations, Mabe Canada Inc.
Suite 310, 1 Factory Lane
Moncton, N.B. E1C 9M3



Extended Warranties

In the U.S.: **GEAppliances.com**

Purchase a GE extended warranty and learn about special discounts that are available while your warranty is still in effect. You can purchase it on-line anytime, or call 800.626.2224 during normal business hours. GE Consumer Home Services will still be there after your warranty expires. **In Canada, call 1.888.261.2133**



Parts and Accessories

In the U.S.: **GEAppliances.com**

Individuals qualified to service their own appliances can have parts or accessories sent directly to their homes (VISA, MasterCard and Discover cards are accepted). Order on-line today, 24 hours every day or by phone at 800.626.2002 during normal business hours.

Instructions contained in this manual cover procedures to be performed by any user. Other servicing generally should be referred to qualified service personnel. Caution must be exercised, since improper servicing may cause unsafe operation.

Customers **in Canada** should consult the yellow pages for the nearest Mabe service center, or call 1.800.661.1616.



Contact Us

In the U.S.: **GEAppliances.com**

If you are not satisfied with the service you receive from GE, contact us on our Website with all the details including your phone number, or write to:

General Manager, Customer Relations
GE Appliances, Appliance Park
Louisville, KY 40225

In Canada: www.GEAppliances.ca, or write to: Director, Consumer Relations, Mabe Canada Inc.
Suite 310, 1 Factory Lane
Moncton, N.B. E1C 9M3



Register Your Appliance

In the U.S.: **GEAppliances.com**

Register your new appliance on-line—at your convenience! Timely product registration will allow for enhanced communication and prompt service under the terms of your warranty, should the need arise. You may also mail in the preprinted registration card included in the packing material. **In Canada: www.GEAppliances.ca**



Plaque de Cuisson À Gaz

Instructions de sécurité ... 2-6

Instructions de fonctionnement

Brûleur PowerBoil™7
Brûleur double raccordé7
Brûleurs au gaz scellés7
Casseroles 8
Pour allumer un brûleur 7
Taille de la flamme 8
Verrouillage des contrôles7

Nettoyage et entretien

Bases de brûleur10
Boutons de commande9
Brûleurs et électrodes
de la plaque de cuisson10
Capuchons et têtes
de brûleur10
Électrodes10
Email en porcelaine
de la plaque9
Grilles de brûleur11
Pellicule et ruban d'expédition ..9
Plaque de cuisson en
vitrocéramique12, 13
Remplacement des têtes
et des capuchons de brûleur ..11
Surfaces en acier inoxydable ..9

*Informations sur
le dépannage*14, 15

Soutien au consommateur

Garantie17
Soutien au consommateur ... 18

**Transcrivez les numéros
de modèle et de série ici :**

Modèle # _____

Série # _____

Vous les trouverez sur une
étiquette apposée sous la
plaque.

Manuel du propriétaire

- JGP328
- JGP330
- JGP628
- JGP630
- JGP933
- JGP940
- JGP945
- JGP963
- JGP970
- JGP975



Imprimé sur
le papier réutilisé

INFORMATIONS IMPORTANTES SUR LA SÉCURITÉ. LIRE TOUTES LES INSTRUCTIONS AVANT UTILISATION.

⚠ AVERTISSEMENT :

Si vous ne suivez pas exactement les informations communiquées dans ce manuel, un incendie ou une explosion peut se produire entraînant des dommages à votre propriété, des blessures corporelles ou même la mort.

- Ne pas entreposer ou utiliser de l'essence ou d'autres combustibles à proximité de cet appareil ou tout autre appareil.
- **QUE FAIRE SI VOUS SENTEZ L'ODEUR DE GAZ**
 - Ne pas tenter d'allumer tout autre appareil.
 - Ne pas toucher tout interrupteur électrique; ne pas utiliser le téléphone dans votre résidence.
 - Appeler immédiatement votre fournisseur de gaz à partir du téléphone d'un voisin. Suivre les instructions du fournisseur.
 - Si vous ne pouvez pas rejoindre le fournisseur de gaz, appeler le service des incendies.
- L'installation et l'entretien doivent être exécutés par un spécialiste qualifié, une compagnie assurant l'entretien de ce type d'appareil ou par le fournisseur de gaz.



⚠ AVERTISSEMENT!

Pour votre sécurité, nous vous conseillons de suivre les informations contenues dans ce manuel afin de réduire les risques d'incendie ou d'explosion, les chocs électriques ou pour empêcher tout dommage à la propriété, les blessures corporelles ou la perte de vie.



AVIS IMPORTANT SUR LA SÉCURITÉ

Le décret de la Californie sur la consommation d'eau de table et l'application des règles sur les produits toxiques exige que le gouverneur de cet état publie une liste des substances connues pour causer le cancer, des malformations à la naissance et autres dommages du même type. Ce décret exige que les fabricants avertissent leur clientèle quant à leur exposition potentielle à ces produits.

Les appareils fonctionnant au gaz peuvent causer une exposition mineure à quatre de ces substances, soit le benzène, l'oxyde de carbone, le formaldéhyde et la suie qui sont causées principalement par la combustion incomplète du gaz naturel ou du gaz LP. Le bon réglage des brûleurs indiqué par une flamme de couleur plutôt qu'une flamme jaune minimisera une combustion incomplète. L'exposition à ces substances peut être réduite par l'ouverture d'une fenêtre, l'utilisation d'un ventilateur ou d'une hotte.



PRÉCAUTIONS DE SÉCURITÉ

Demander à l'installateur d'indiquer où se trouve le robinet de fermeture de la plaque de cuisson et si nécessaire, comment le fermer.

- Assurez-vous que votre plaque de cuisson est correctement montée et mise à la terre par un installateur qualifié conformément aux instructions de montage. Tout réglage et service doivent être exécutés par un installateur de plaques de cuisson à gaz ou un technicien qualifié.
- Ne pas tenter de réparer ou de remplacer toute pièce de votre plaque de cuisson excepté si une telle intervention est spécifiquement recommandée dans ce manuel. Tout autre service doit être référé à un technicien qualifié.
- Placer votre plaque de cuisson en dehors de la circulation de personnes dans la cuisine et à l'abri de courants d'air afin de prévenir l'extinction de la veilleuse et une circulation d'air déficiente.
- Brancher votre plaque de cuisson sur une prise de 120 volts avec mise à la terre uniquement. Ne pas couper la troisième broche de mise à la terre de la prise. En cas de doute sur la mise à la terre du circuit d'alimentation électrique du domicile, il vous appartient et vous êtes dans l'obligation de faire remplacer une prise sans mise à la terre par une prise à trois broches avec mise à la terre conformément au code sur la sécurité des installations électriques. Ne pas utiliser un fil de rallonge avec cet appareil.
- Laisser les grilles des brûleurs ainsi que les autres surfaces se refroidir avant de les toucher et ne pas les laisser sans surveillance au cas où des enfants pourraient y avoir accès.
- Assurez-vous que tout le matériel d'emballage a été enlevé de la plaque de cuisson avant d'utiliser celle-ci afin de prévenir des dommages causés par un incendie ou la formation de fumée si le matériel d'emballage s'enflamme.
- Assurez-vous que votre plaque de cuisson a été correctement réglée par un technicien de service ou un installateur qualifié. Tel qu'expédié de l'usine, cet appareil de comptoir ne peut être utilisé qu'avec du gaz naturel. Ne pas tenter de l'alimenter au gaz de pétrole liquéfié (en bouteille) sauf si vous respectez les instructions qui accompagnent la plaque. Voir la section Instructions de conversion au gaz propane (gaz de pétrole liquéfié).

INFORMATIONS IMPORTANTES SUR LA SÉCURITÉ.

LIRE TOUTES LES INSTRUCTIONS AVANT UTILISATION.



PRÉCAUTIONS DE SÉCURITÉ

- Ne pas laisser des enfants seuls ou sans surveillance lorsqu'une plaque de cuisson est chaude ou en cours d'utilisation. Ils pourraient être gravement brûlés.
 - Ne permettre à personne de grimper, de se tenir debout ou de se suspendre à la plaque de cuisson.
 - **⚠ ATTENTION :** Les articles intéressant les enfants ne doivent pas être entreposés dans des placards au dessus d'une plaque de cuisson. Les enfants grim pant sur la plaque de cuisson pour atteindre des articles peuvent subir de graves blessures.
- ⚠ AVERTISSEMENT :**
N'utilisez **JAMAIS** cet appareil pour réchauffer votre maison. Si vous le faites, vous risquez d'occasionner un empoisonnement par monoxyde de carbone et de surchauffer la plaque de cuisson.
- Toujours garder les ustensiles en bois et en plastique ainsi que les boîtes de conserve à l'écart de votre plaque.
 - Toujours garder les papiers muraux inflammables, rideaux et draperies à l'écart de votre plaque.
 - Ne jamais porter de vêtements amples ou pendants au cours de l'utilisation de l'appareil. Faire attention si vous désirez avoir accès aux articles entreposés dans des placards au dessus de la plaque de cuisson. Les matériaux inflammables peuvent prendre feu s'ils sont exposés au contact d'une flamme ou d'une surface chaude, entraînant la possibilité de brûlures graves.
 - Enseigner aux enfants de ne pas jouer avec les commandes ou toute autre partie de la plaque de cuisson.
 - Pour votre sécurité, ne jamais utiliser l'appareil pour chauffer ou réchauffer une pièce.
 - Toujours garder les serviettes, torchons, mitaines de four et tout autre linge à l'écart de votre plaque de cuisson.
 - Ne pas entreposer des matières inflammables à proximité de la plaque de cuisson.
 - Ne pas entreposer ou utiliser des matières combustibles, de l'essence ou autre gaz et liquide inflammables à proximité de cet appareil ou tout autre type d'appareil.
 - Ne pas laisser la graisse de cuisine ou toute autre matière inflammable s'accumuler à proximité de la plaque de cuisson.
 - Ne pas faire fonctionner le brûleur sans que tous les autres éléments de brûleurs soient en place.
 - Ne pas nettoyer la plaque de cuisson avec des liquides de nettoyage inflammables ou volatiles.
 - Ne pas nettoyer la plaque de cuisson lorsqu'elle est en service.
 - Éviter d'égratigner la plaque de cuisson avec des instruments pointus, bagues et autres bijoux.
 - Ne jamais utiliser la plaque de cuisson comme planche à découper.
 - Ne pas utiliser de l'eau sur les feux de graisse. Ne pas soulever une poêle qui a pris feu. Mettre les commandes sur arrêt. Etouffer une poêle enflammée sur un brûleur de surface en la couvrant complètement avec un couvercle de la même dimension, une tôle à biscuits ou un plateau. Utiliser un extincteur multi-usages à poudre ou à mousse.
- La graisse enflammée hors d'une poêle peut être éteinte en la couvrant avec du bicarbonate de soude ou si disponible, avec un extincteur multi-usages à poudre ou à mousse.



⚠ AVERTISSEMENT! **BRÛLEURS DE SURFACE**

Utiliser une poêle de dimensions correctes—Éviter les poêles instables et pouvant se renverser facilement. Choisir des casseroles avec fond plat et dont la surface est suffisante pour couvrir les grilles des brûleurs. Pour éviter des débordements, assurez-vous que la casserole est suffisamment grande pour contenir les aliments correctement. Ces précautions vous feront gagner du temps pour la vaisselle tout en prévenant les accumulations dangereuses de nourriture étant donné que les éclaboussures importantes et les débordements sur la plaque peuvent s'enflammer. Utiliser des casseroles munies de manches et qui sont de ce fait facilement manipulables et restent froides.

- Toujours utiliser la position **LITE** (allumage) lors de l'allumage des brûleurs supérieurs et s'assurer que les brûleurs se sont allumés.
- Ne jamais laisser les brûleurs de surface fonctionner sans surveillance lorsque les réglages de flamme sont à la position "HI." Les débordements entraînent la formation de fumée et une accumulation de graisse qui peut s'enflammer.
- N'utiliser que des mitaines de four sèches. S'ils sont humides ou mouillés en présence d'une surface chaude, ils peuvent causer des brûlures dûes à la vapeur. Lorsque vous soulevez des casseroles, ne pas laisser les mitaines de four s'approcher des flammes. Ne pas utiliser de serviettes ou un autre linge épais pour remplacer des mitaines de four. Ce type de linge peut s'enflammer au contact d'un brûleur chaud.
- Si vous utilisez de la vaisselle en verre, assurez-vous qu'elle est prévue pour la cuisson sur ce type de plaque.
- Afin de réduire les possibilités de brûlures, l'allumage de matières inflammables et les débordements, orienter les poignées de la casserole sur le côté ou vers l'arrière de la plaque sans qu'elles ne surplombent les brûleurs adjacents.
- Toujours mettre les commandes du brûleur de surface sur OFF (arrêt) avant de déplacer la casserole.
- Observer attentivement la nourriture qui frit lorsque le réglage de flamme est élevé.
- Faire chauffer la graisse lentement et observer l'opération.
- Ne laisser aucun objet sur la plaque. L'air chaud provenant de l'évent peut enflammer les objets inflammables, entraînant une augmentation de pression dans les contenants fermés donc un risque d'explosion.
- Si un mélange d'huile et de graisse est utilisé pour la friture, mélanger les deux composants avant le chauffage ou lorsque la graisse fond lentement.
- Ne pas utiliser un wok sur la surface de cuisson si cet ustensile comporte un support métallique rond placé sur le brûleur. Cet anneau se comporte comme accumulateur de chaleur qui peut endommager la grille du brûleur et la tête du brûleur. De plus, l'anneau peut empêcher le brûleur de fonctionner correctement et causer une concentration d'oxyde de carbone supérieure à celle tolérée par les normes actuelles et représenter un danger pour la santé.
- Les aliments à frire doivent être aussi secs que possible. La gelée sur les aliments surgelés ou l'humidité des aliments frais peut entraîner le bouillonnement de graisse chaude avec débordement sur les parois de la casserole.
- Utiliser le minimum de graisse pour faire une friture avec un volume de graisse important ou minime. Le remplissage excessif de la casserole peut entraîner des débordements lorsque les aliments sont ajoutés.
- Dans la mesure du possible, utiliser un thermomètre pour prévenir une surchauffe au delà du degré de température provoquant une émanation de fumée.
- Ne jamais tenter de déplacer une casserole contenant de la graisse chaude, particulièrement une friteuse. Attendre jusqu'à ce que la graisse ait refroidi.
- Lorsque vous préparez des plats flambés sous la hotte, faites fonctionner le ventilateur.
- Ne pas laisser des objets en plastique sur la plaque. Ils peuvent fondre si placés à proximité de l'évent.
- Garder tous les objets en plastique à l'écart des brûleurs de surface.
- Si vous sentez une odeur de gaz, en arrêter l'arrivée à la plaque et contacter un technicien de service qualifié. Ne jamais utiliser la flamme d'une source quelconque pour localiser une fuite.
- Pour éviter la possibilité de brûlures, toujours s'assurer que les commandes des brûleurs sont sur la position OFF (arrêt) et que les grilles se sont refroidies avant de les enlever.

INFORMATIONS IMPORTANTES SUR LA SÉCURITÉ. LIRE TOUTES LES INSTRUCTIONS AVANT UTILISATION.



BRÛLEURS DE SURFACE

Régler la flamme du brûleur supérieur de façon à ce qu'elle ne dépasse pas les bords de la casserole. Une trop grande flamme peut présenter des dangers.

- Nettoyez la plaque de cuisson soigneusement. Si vous utilisez une éponge ou un linge mouillé pour essuyer les débordements, prenez bien soin d'éviter les brûlures dues à la vapeur chaude. Certains produits nettoyants peuvent produire des vapeurs nocives quand on les utilise sur une surface chaude.

NOTE : Nous vous recommandons d'éviter d'essuyer toute surface avant qu'elle ait refroidi. Les seules exceptions à cette règle sont les débordements de sucre. Veuillez consulter la section *Nettoyage de la surface en vitrocéramique de la plaque de cuisson*.
- Quand la surface de cuisson est froide, n'utilisez que la crème nettoyante de plaque de cuisson en vitrocéramique CERAMA BRYTE® et le tampon de nettoyage CERAMA BRYTE® pour la nettoyer.
- Pour éviter tout dommage possible à la surface de cuisson, ne mettez jamais de crème de nettoyage sur la surface en vitrocéramique quand elle est chaude.
- Après tout nettoyage, utilisez un linge sec ou une serviette en papier pour enlever toute trace de crème de nettoyage.
- Lisez et suivez toutes les instructions et conformez-vous à tous les avertissements inscrits sur les étiquettes de la crème de nettoyage.
- Ne jamais nettoyer la surface de la plaque lorsqu'elle est chaude. Certains nettoyants produisent des vapeurs nocives et un tissu mouillé peut causer des brûlures provenant de la vapeur si utilisé sur une surface chaude.
- Ne jamais laisser des bocaux ou des boîtes contenant de la graisse qui dégoutte sur ou à proximité de la plaque.
- Ne pas utiliser de papier d'aluminium pour tapisser les réceptacles des brûleurs. Une mauvaise utilisation peut entraîner des dangers d'incendie ou endommager la plaque.
- Ne pas masquer ou bloquer le pourtour des boutons de commande de la plaque. Cette zone doit être gardée libre pour assurer une bonne ventilation et un bon fonctionnement des brûleurs.
- Les rayures importantes ou les chocs sur les plaques de cuisson en vitrocéramique peuvent occasionner des cassures de la surface de vitrocéramique et des éclats.
- Ne nettoyer que les composants listés dans ce manuel.



CUIRE LES VIANDES ET LA VOLAILLE COMPLÈTEMENT...

Cuire les viandes et la volaille complètement. La température INTERNE de la viande doit être au moins 71 degrés celsius (160 degrés F) et la température INTERNE de la volaille doit être au moins 82 degrés celsius (180 degrés F). Habituellement, la cuisson à ces températures prévient les empoisonnements alimentaires.



TROUSSE DE CONVERSION

Votre plaque est réglée en usine pour ne fonctionner qu'au gaz naturel.

Si vous désirez alimenter votre plaque au gaz de pétrole liquéfié, vous devez suivre les instructions d'installation qui l'accompagnent. Voir la section Instructions de conversion au gaz propane (gaz de pétrole liquéfié). Cette conversion doit être effectuée par un technicien qualifié.

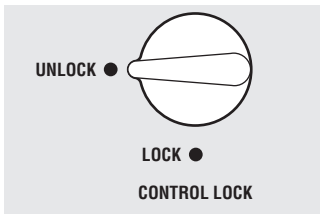


LIRE ET SUIVRE AVEC ATTENTION CETTE INFORMATION SUR LA SÉCURITÉ.
SAUVEGARDER CES INSTRUCTIONS

Utilisation des brûleurs de la plaque de cuisson.

www.electromenagersge.ca

Tout au long de ce manuel, les caractéristiques et l'apparence peuvent varier d'un modèle à l'autre.

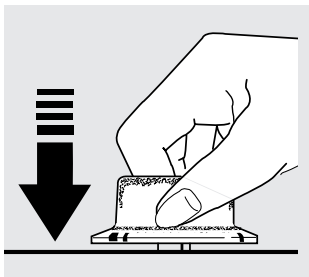


Verrouillage des contrôles (sur certains modèles)

Pour verrouiller la plaque de cuisson et prévenir une utilisation non voulue, tournez le bouton de verrouillage des contrôles dans le sens opposé à celui des aiguilles d'une montre en position **LOCK** (verrouillage). Un voyant lumineux s'allume pour indiquer le verrouillage de la plaque de cuisson.

Quand elle est verrouillée, la plaque de cuisson fait un bruit si un bouton de commande est mis en position autre que **OFF** (arrêt).

Pour déverrouiller, tournez le bouton de verrouillage des contrôles en position **UNLOCK** (déverrouillage).



Comment allumer un brûleur

Assurez-vous que le bouton de verrouillage des contrôles est en position **UNLOCK** (déverrouillage).

Les brûleurs de votre plaque sont allumés électriquement, éliminant ainsi la nécessité d'avoir une flamme témoin constamment allumée.

Poussez le bouton de commande et le tournez dans le sens anti-horaire sur la position **LITE** (allumage). Après l'allumage du brûleur, tournez le bouton pour régler la taille de la flamme. Pour éteindre le brûleur, tournez le bouton dans le sens horaire jusqu'au maximum de sa course sur la position **OFF** (arrêt).

- Vérifiez que le brûleur que vous voulez utiliser est celui que vous avez allumé.

- Assurez-vous de placer le bouton sur **OFF** (arrêt) après la fin de la cuisson.

- En cas de panne de courant, vous pouvez allumer les brûleurs avec une allumette. Tenir une allumette allumée proche du brûleur puis pousser le bouton de commande et le placer sur la position **LITE** (allumage). Faire très attention lorsque vous allumez les brûleurs de cette façon. Les brûleurs en cours de fonctionnement lorsque la panne de courant survient continuent à fonctionner normalement.

- Ne pas utiliser le brûleur longtemps sans qu'il y ait de casserole sur la grille. La finition de la grille peut s'écailler sans la présence d'une casserole pour absorber la chaleur.

- Assurez-vous que les brûleurs et les grilles sont froids avant d'y poser la main, des mitaines de four, des chiffons ou tout autre matériau.

Brûleurs au gaz scellés

Le brûleur le plus petit (arrière droite) et le brûleur du centre (sur certains modèles) sont des brûleurs à mijoter. Vous pouvez diminuer ces brûleurs en les mettant en position **LO** (basse) ou **SIMMER** (mijotage) (selon le modèle). Cela permet une température précise de cuisson pour les aliments délicats comme les sauches ou les aliments qui nécessitent

une température basse et une durée de cuisson lente.

Le brûleur moyen (arrière gauche) et le grand brûleur (avant gauche) sont des brûleurs tout usage, qui peuvent passer d'une position **HI** (élevée) à une position **LO** (basse) pour permettre la cuisson d'une gamme étendue d'aliments.

Brûleur double raccordé (sur certains modèles)

Le brûleur extra grand (avant droite) a une capacité maximale de chauffage et de mijotage précis. Vous pouvez le faire passer d'une position **PowerBoil™**

(sur-bouillonnement) à une position **SIMMER** (mijotage) pour une gamme étendue de cuissons.

Brûleur PowerBoil™ (sur-bouillonnement) (sur certains modèles)

Le brûleur extra grand (avant droite) a un réglage spécial **PowerBoil™** (sur-bouillonnement). Vous ne pouvez utiliser cette caractéristique qu'avec des ustensiles de cuisine d'au moins 28 cm (11 po) de diamètre, et vous ne devez

jamais permettre aux flammes de dépasser les côtés de l'ustensile de cuisine. Cette caractéristique est conçue pour faire bouillir rapidement de grandes quantités de liquide dans des casseroles d'au moins 28 cm (11 po) de diamètre.

Instructions de sécurité

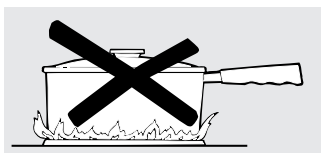
Instructions de fonctionnement

Entretien et nettoyage

En cas de panne

Soutien au consommateur

Utilisation des brûleurs de la plaque de cuisson.

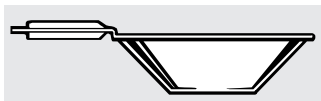


Comment choisir la taille de la flamme

Afin de sécuriser l'utilisation des casseroles, ne jamais laisser la flamme dépasser les parois de celles-ci.

Lorsque vous réduisez la chaleur, surveillez la flamme et non le bouton de commande. La taille de la flamme d'un brûleur à gaz doit correspondre au type de casserole que vous utilisez.

Toute flamme qui dépasse le fond de la casserole est gâchée et ne fait que réchauffer la poignée.



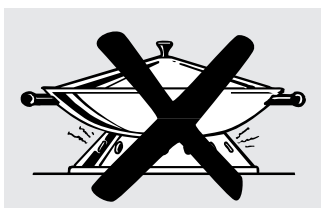
Utiliser un Wok à fond plat.

Cuisinez avec un Wok comme suit

Nous vous recommandons d'utiliser un wok à fond plat de 36 cm (14 po) ou plus petit. Ces woks sont vendus par votre détaillant local.

Vous ne pouvez utiliser qu'un wok à fond plat. Assurez-vous que le bas du wok repose bien horizontalement sur la grille.

N'utilisez jamais une bague de soutien de wok. Si vous mettez la bague sur le brûleur ou la grille, vous pouvez occasionner un mauvais fonctionnement du brûleur et une augmentation du niveau de gaz CO au-dessus des normes permises. Cela peut être dangereux pour votre santé.



Casseroles

En aluminium : Les casseroles de dimensions moyennes sont recommandées compte tenu du fait qu'elles se réchauffent rapidement et uniformément. La plupart des aliments brunissent uniformément dans les casseroles en aluminium. Utiliser un poêlon avec un couvercle bien ajusté lorsque la cuisson est faite avec une quantité minimale d'eau.

En métal émaillé : Sous certaines conditions, l'émail de certaines casseroles peut fondre. Suivre les recommandations du fabricant pour la méthode de cuisson à suivre.

Verre : Il existe deux types de casseroles en verre : celles pour utilisation dans un four seulement et celles pour la cuisson sur plaque (casseroles, pots à café et à thé). Le verre conduit la chaleur très lentement.

En fonte : Si réchauffées lentement, la plupart des casseroles en fonte donnent des résultats satisfaisants.

En verre céramique insensible à la chaleur : Ce type d'ustensiles peut être utilisé pour cuisson soit au four, soit en surface. Il conduit la chaleur et se refroidit très lentement. Vérifier les instructions du fabricant pour s'assurer qu'il est possible d'utiliser l'ustensile sur une plaque de cuisson à gaz.

En acier inoxydable : Les propriétés de chauffage de ce métal sont médiocres. Habituellement, il est combiné avec du cuivre, de l'aluminium ou avec d'autres métaux pour améliorer la répartition de chaleur. Les casseroles en alliage de métaux se comportent de manière satisfaisante si elles sont utilisées avec une chaleur moyenne comme le fabricant le recommande.

Renseignements pratiques de mise en conserve à la maison

Assurez-vous que l'ustensile de mise en conserve se trouve bien au centre du brûleur.

Pour prévenir toute brûlure de vapeur ou de chaleur, faites attention quand vous mettez en conserve.

Utiliser des recettes et des procédures de sources réputées. Vous les trouverez en vous adressant à des fabricants comme Ball® et Kerr® et aux services de publications du ministère de l'agriculture.

Entretien et nettoyage de la plaque de cuisson.

www.electromenagersge.ca

Assurez-vous que l'alimentation électrique est coupée et que toutes les surfaces sont froides avant de nettoyer une partie quelconque de la plaque.

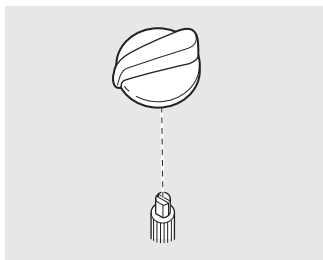
Comment retirer la pellicule protectrice d'expédition et le ruban d'emballage

Saisissez soigneusement un coin de la pellicule protectrice d'expédition avec vos doigts et pelez-la de la surface de l'appareil. N'utilisez aucun objet aiguisé pour enlever cette pellicule. Enlevez toute la pellicule avant d'utiliser votre appareil pour la première fois.

Pour s'assurer qu'aucun dommage ne soit causé à la finition du produit, le plus sûr moyen d'enlever l'adhésif provenant

du ruban d'emballage resté sur les appareils neufs est d'appliquer du détergent liquide pour lavage de la vaisselle. Appliquer avec un linge doux et laisser le liquide s'imbiber.

NOTE : Vous devez enlever la pellicule adhésive de toutes les pièces avant d'utiliser la plaque de cuisson. Vous ne pourrez plus l'enlever si elle cuit sur la plaque.



Tirez le bouton droit vers vous pour l'enlever de sa tige.

Boutons de commande

Les boutons de commande se retirent pour faciliter leur nettoyage.

Assurez-vous que les boutons soient en position **OFF (ARRÊT)** et retirez-les des tiges pour les nettoyer.

Les boutons se nettoient au lave-vaisselle ou vous pouvez les laver avec de l'eau et du savon. Assurez-vous que l'intérieur des boutons soit sec avant de les replacer.

Remplacez les boutons en position **OFF (ARRÊT)** pour vous assurer qu'ils soient bien placés.

Plaques avec porcelaine émaillée (sur certains modèles)

La finition en porcelaine émaillée est durable. Cependant, elle peut être endommagée en cas de mauvaise utilisation. La finition résiste à l'acide. Néanmoins, tout aliment acide qui a été répandu (jus de fruits, de tomates ou vinaigre) ne doit pas demeurer sur la finition.

Si de l'acide est répandu sur la plaque alors qu'elle est chaude, utiliser une serviette en papier sèche ou un chiffon pour l'essuyer immédiatement. Une fois la surface refroidie, laver avec de l'eau et du nettoyant universel. Bien rincer.

Pour les autres débordements, par exemple des éclaboussures de graisse, laver avec de l'eau et du savon ou un nettoyant universel après refroidissement de la surface. Bien rincer et polir avec un chiffon sec.

Surfaces en acier inoxydable (sur certains modèles)

N'utilisez pas de tampons de laine d'acier; ils pourraient rayer la surface.

Pour nettoyer la surface en acier inoxydable, utilisez de l'eau chaude savonneuse ou un produit nettoyant ou cire à acier inoxydable. Essayez toujours la surface dans le sens du grain. Suivez les instructions du produit nettoyant pour nettoyer la surface en acier inoxydable.

Pour savoir comment acheter le produit nettoyant ou le cire pour appareils électroménagers en acier inoxydable, ou pour trouver un détaillant ou un magasin de pièces Camco près de chez vous, veuillez appeler notre numéro sans frais :

Centre national de pièces 1.800.661.1616
www.electromenagersge.ca

Instructions de sécurité

Instructions de fonctionnement

Entretien et nettoyage

En cas de panne

Soutien au consommateur

Entretien et nettoyage de la plaque de cuisson.

ATTENTION :
NE FAITES JAMAIS FONCTIONNER
UN BRÛLEUR SANS TOUTES SES
PIÈCES EN PLACE.

Brûleurs et électrodes de la plaque de cuisson

Mettez tous les contrôles en position arrêt avant d'enlever des pièces de brûleur.

NOTE : Avant d'enlever les capuchons et les têtes de brûleur, notez leur taille et leur emplacement. Remettez-les à leur place après les avoir nettoyés.

Les systèmes de brûleur doivent toujours être propres. Vous devez nettoyer immédiatement tout renversement sur un brûleur. Il peut boucher les ouvertures du système de brûleur.

Enlevez les grilles de brûleur, les capuchons de brûleur et les têtes de brûleur pour nettoyer plus facilement.

NOTES :

- N'essayez jamais d'enlever l'électrode de la plaque de cuisson ou une vis de la tête de brûleur ou de la base de brûleur.
- N'utilisez jamais de laine d'acier ou de poudre à récurer pour nettoyer les brûleurs.

Capuchons et têtes de brûleur

Lavez les capuchons et les têtes de brûleur dans de l'eau savonneuse chaude et rincez-les à l'eau propre courante. Vous pouvez récurer avec un tampon à récurer en plastique pour enlever les particules de nourriture brûlées.

Utilisez une aiguille à coudre ou un lien torsadé pour déboucher les petits trous de la tête de brûleur, le cas échéant.

Pour enlever les aliments brûlés, trempez les têtes de brûleur dans une solution de détergent liquide léger pour lavage de la vaisselle et d'eau chaude pendant 20 à 30

minutes, le cas échéant. Pour les taches plus difficiles à enlever, utilisez une brosse à dents.

Si le renversement est entré dans le système de tête de brûleur (brûleur avant droit dans les modèles JGP945 et JGP975), lavez-le à l'eau courante. Remuez pour enlever l'eau en trop. Séchez à l'air et assurez-vous que les petits trous de l'allumeur soient bien ouverts.

NOTE : Ne lavez aucune pièce de brûleur dans un lave-vaisselle.

Bases de brûleur

Vous ne devez jamais enlever les bases de brûleur pour les nettoyer.

Pour nettoyer les bases de brûleur, utilisez de l'eau savonneuse et un tampon à récurer en plastique. Assurez-vous de ne

pas faire entrer d'eau dans les bases de brûleur et dans les orifices de gaz en laiton.

Frottez à l'aide d'un linge humide. Laissez sécher complètement avant d'utiliser.

Électrode de plaque de cuisson

Nettoyez cette partie métallique



Ne nettoyez pas cette partie en céramique blanche à l'aide d'une lime émeri

NOTE : N'essayez jamais d'enlever l'électrode de la plaque de cuisson.

Électrodes

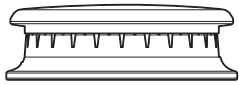
L'électrode de l'allumeur est exposée sous la surface de la base de brûleur. Quand vous nettoyez la plaque de cuisson, prenez bien soin de ne pas accrocher l'électrode de l'allumeur avec votre linge de nettoyage. Vous pouvez endommager l'allumeur.

Prenez bien soin de ne pas pousser un contrôle de la plaque de cuisson en nettoyant la plaque de cuisson. Cela peut vous donner une petite secousse qui peut vous faire toucher des ustensiles brûlants.

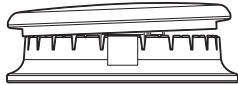
Assurez-vous que les électrodes en céramique blanche de la plaque de cuisson soient propres et secs. Nettoyez

la partie métallique de l'électrode à l'aide d'un linge doux. Pour les saletés difficiles à enlever, durcies, utilisez une lime émeri pour nettoyer la partie métallique de l'électrode. N'utilisez jamais une lime émeri pour nettoyer la partie en céramique blanche de l'électrode. Vous pouvez utiliser un linge doux, mais jamais une lime émeri, pour nettoyer la partie blanche de l'électrode.

Avant de monter à nouveau les brûleurs de surface, poussez vers le bas chaque électrode en céramique blanche pour vous assurer de bien les faire reposer sur les bases de brûleur.



Capuchon de brûleur bien installé



Capuchon de brûleur mal installé

Remplacement de la tête et du capuchon de brûleur

Remettez la tête de brûleur dans la base de brûleur, en vous assurant que la tête est bien orientée sur la base de brûleur et l'électrode. Assurez-vous de placer la bonne tête de brûleur sur la bonne base de brûleur et de bien faire reposer horizontalement la tête de brûleur sur sa base. Les têtes de brûleur ne sont pas interchangeables.

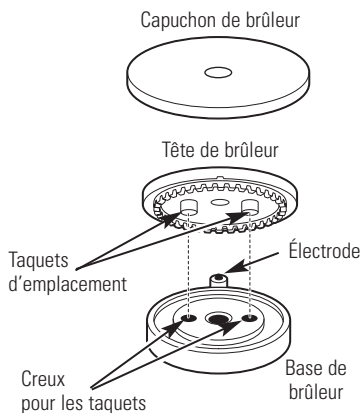
Remettez le capuchon de brûleur dans la tête de brûleur, en vous assurant de placer le bon capuchon sur la bonne tête de brûleur. Les capuchons de brûleur ne sont pas interchangeables. Assurez-vous également de bien faire reposer les capuchons de brûleur sur les têtes de brûleur.

JGP940 et JGP970 (tous les brûleurs)

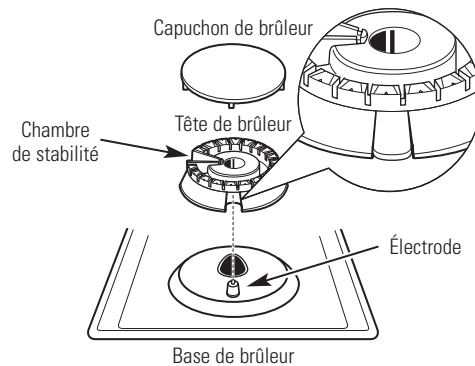
JGP328, JGP330, JGP628, JGP630, JGP933, JGP945, JGP963, JGP975

JGP945 et JGP975 (brûleur avant droit seulement)

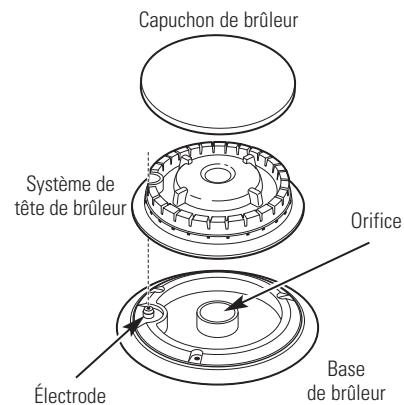
JGP933 et JGP963 (brûleur avant droit seulement)



Assurez-vous que les taquets de brûleur correspondent aux creux de la base de brûleur et qu'ils soient bien installés dans ces creux en faisant tourner les têtes jusqu'à ce qu'elles soient bien horizontales.

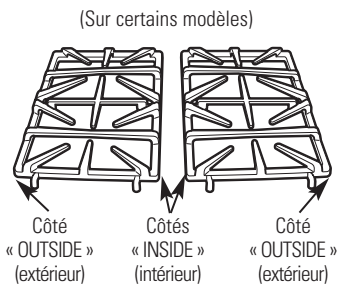


Assurez-vous que la fente de la tête de brûleur soit placée sur l'électrode. Le capuchon de brûleur a trois ou quatre taquets. Quand vous remettez le capuchon en place, assurez-vous qu'aucun taquet ne repose dans la chambre de stabilité.



Assurez-vous que le trou du système de tête de brûleur soit placé sur l'électrode et que la tête de brûleur pénètre bien à l'intérieur de la base de brûleur. Un petit espace libre entre la base et la tête est normal.

Grilles de brûleur



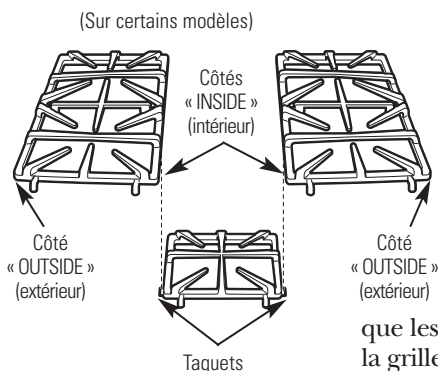
Notre plaque de cuisson a des grilles de style professionnel. Ces grilles sont conçues pour leur emplacement particulier. Vous devez placer ces grilles dans leur bon emplacement. Elles ne sont pas interchangeables. Pour vous aider, les dessous des grilles de gauche et de droites sont marquées « OUTSIDE » (extérieur) et « INSIDE » (intérieur). Assurez-vous que les côtés marqués « OUTSIDE » (extérieur)

Enlevez les grilles de brûleur en les soulevant uniquement quand elles sont froides. Vous devez laver régulièrement les grilles et, naturellement, après tout débordement. Lavez-les dans le lave-vaisselle ou dans de l'eau savonneuse chaude et rincez-les à l'eau pure. Quand vous remettez les grilles en place, assurez-vous de bien les fixer sur les brûleurs.

Bien qu'elles soient durables, les grilles perdront graduellement leur brillant, malgré tous les soins que vous leur prodiguerez. C'est dû à leur exposition constante à des températures élevées. Vous noterez ce phénomène plus tôt avec les grilles de couleur claire.

Ne faites pas fonctionner un brûleur pendant longtemps sans un ustensile de cuisine sur la grille. La surface des grilles peut s'écailler sans ustensile pour absorber la chaleur.

NOTE : Ne nettoyez jamais les grilles dans un four auto-nettoyant.



soient en face des extrémités extérieures de la plaque de cuisson et que les côtés marqués « INSIDE » (intérieur) soient en face l'un de l'autre. Toutes les grilles doivent se toucher quand elles sont assemblées sur la surface de la plaque de cuisson.

Pour les plaques de cuisson qui ont trois grilles, assurez-vous que les taquets situés de chaque côté de la grille du centre entrent dans les fentes situées du côté marqué « INSIDE » (intérieur) des grilles de côté.

Nettoyage de la surface en vitrocéramique de la plaque de cuisson. (sur certains modèles)



Nettoyez votre plaque de cuisson chaque fois qu'elle est sale. Utilisez la crème nettoyante CERAMA BRYTE® pour plaque de cuisson.

Nettoyage normal quotidien

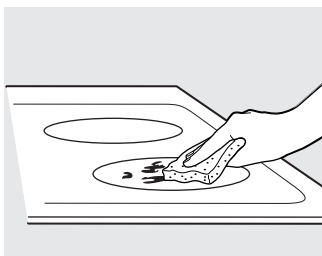
Utilisez **UNIQUEMENT** la crème nettoyante CERAMA BRYTE® sur votre plaque de cuisson en vitrocéramique. Autres crèmes peuvent être moins efficaces.

Pour entretenir et protéger votre plaque de cuisson en vitrocéramique, conformez-vous aux instructions suivantes :

- 1 Avant d'utiliser votre plaque de cuisson pour la première fois, enlevez les grilles des brûleurs et nettoyez-la avec de la crème nettoyante CERAMA BRYTE® pour plaque de cuisson. Cela vous aidera à la protéger et à la conserver propre.
- 2 Votre plaque de cuisson conservera son aspect neuf si vous utilisez chaque jour la crème nettoyante CERAMA BRYTE® pour plaque de cuisson.

- 3 Secouez bien le flacon de crème nettoyante. Versez quelques gouttes de crème nettoyante CERAMA BRYTE® directement sur votre plaque de cuisson.
- 4 Utilisez une serviette en papier ou une éponge CERAMA BRYTE® pour plaque de cuisson en vitrocéramique afin de nettoyer la surface de la plaque de cuisson.
- 5 Utilisez un linge sec ou une serviette en papier pour enlever tous les résidus du nettoyage. Pas besoin de rincer.

NOTE : Vous devez faire bien attention de NE PAS faire chauffer la plaque de cuisson avant de la nettoyer complètement.



Utilisez une éponge CERAMA BRYTE® pour plaque de cuisson en vitrocéramique.

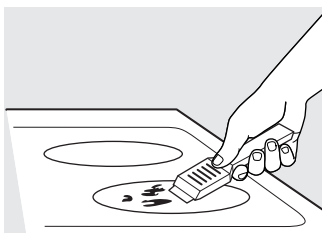
Résidus calcinés

AVERTISSEMENT :

Vous pouvez **ENDOMMAGER** votre surface en vitrocéramique si vous utilisez des éponges de récurage autres que celles recommandées.

- 1 Laissez refroidir la plaque de cuisson.
- 2 Enlevez les grilles de brûleurs et versez quelques gouttes de crème nettoyante CERAMA BRYTE® sur tous les résidus calcinés.
- 3 À l'aide de l'éponge de récurage CERAMA BRYTE® pour plaque de cuisson en vitrocéramique, frottez les résidus en exerçant la pression nécessaire.

- 4 S'il reste des résidus, répétez les opérations indiquées ci-dessus.
- 5 Pour mieux protéger après avoir enlevé les résidus, polissez toute la surface avec la crème nettoyante CERAMA BRYTE® et une serviette de papier.



On peut se procurer le grattoir CERAMA BRYTE® pour plaque de cuisson en vitrocéramique et tous les accessoires recommandés dans nos Centres de pièces détachées. Consultez les instructions dans la section « Comment commander des pièces » à la page suivante.

NOTE : N'utilisez jamais une lame émoussée ou ébréchée.

Résidus calcinés difficiles à enlever

- 1 Laissez refroidir la plaque de cuisson.
- 2 Enlevez les grilles de brûleurs. Tenez un grattoir à lame simple à un angle d'environ 45° sur la surface de vitrocéramique et raclez les résidus. Vous devrez exercer de la pression sur le grattoir à lame pour les enlever.
- 3 Après avoir enlevé les résidus avec le grattoir à lame, versez quelques gouttes de crème nettoyante CERAMA BRYTE® pour plaque de cuisson sur les résidus calcinés. Utilisez l'éponge CERAMA BRYTE® pour enlever les résidus restants.

- 4 Pour mieux protéger après avoir enlevé les résidus, polissez toute la surface avec la crème nettoyante CERAMA BRYTE® et une serviette de papier.

Traces de métal et rayures

1 Faites attention de ne pas faire glisser des ustensiles de cuisine sur votre plaque de cuisson. Ils laisseront des traces de métal sur la surface de vitrocéramique. Vous pourrez enlever ces traces en appliquant la crème nettoyante CERAMA BRYTE® à l'aide de l'éponge CERAMA BRYTE® pour plaque de cuisson en vitrocéramique.

2 Si vous laissez des casseroles recouvertes d'une couche d'aluminium ou de cuivre chauffer à sec, leur métal peut laisser des traces noires sur la plaque de cuisson. Vous devez enlever ces traces immédiatement, avant de faire chauffer à nouveau la plaque de cuisson. Autrement, les traces risquent de devenir permanentes.

AVERTISSEMENT :

Vérifiez toujours le fond de vos casseroles pour vous assurer qu'elles n'aient pas d'aspérités qui risquent de rayer la plaque de cuisson.

Surface de vitrocéramique—possibilité de dommages permanents.

D'après nos essais, il semble que si vous cuisinez des aliments riches en sucre comme de la confiture ou du caramel, et s'ils débordent, ils peuvent occasionner des dommages permanents à la surface de vitrocéramique si vous ne la nettoyez pas immédiatement.

Domages causés par du sucre chaud ou des matières plastiques fondues

- 1 Éteignez tous les brûleurs de surface et, avec des gants isolants, enlevez les ustensiles de cuisine chauds et les grilles.
- 2 Portez des gants de cuisine :
 - a. Utilisez un grattoir à lame simple (grattoir CERAMA BRYTE® pour plaque de cuisson en vitrocéramique) pour repousser les matières fondues sur une surface froide de la plaque de cuisson.
 - b. Enlevez les matières fondues avec une serviette en papier.

- 3 Vous devez laisser toute matière fondue que vous n'avez pas réussi à enlever jusqu'à ce que la plaque de cuisson refroidisse complètement.
- 4 Ne réutilisez jamais la plaque de cuisson avant d'avoir enlevé complètement les résidus.

NOTE : S'il s'est déjà formé sur votre plaque de cuisson en vitrocéramique des creux ou des piqûres, vous devrez la remplacer. Dans ce cas, vous devez appeler le service.

Comment commander des pièces

Pour commander la crème et le grattoir CERAMA BRYTE®, veuillez composer notre numéro de téléphone sans frais.

Appelez-nous au : **1.800.661.1616.**

Crème nettoyante CERAMA BRYTE® pour plaque de cuisson en vitrocéramique# WX10X300

Grattoir CERAMA BRYTE® pour plaque de cuisson en vitrocéramique# WX10X0302

Trousse# WB64X5027
(la trousse comprend un flacon de crème et un grattoir)

Éponges CERAMA BRYTE® pour plaque de cuisson en vitrocéramique# WX10X350

Avant d'appeler un technicien pour le service...



Informations sur le dépannage

Gagnez du temps et économiser de l'argent! Passez en revue les cartes de ces pages d'abord. Il est possible que vous n'avez pas besoin de service.

Problème	Causes possibles	Que faire
<p>La flamme ou l'extrémité de la flamme du brûleur est jaune</p>	<p>La qualité de combustion de la flamme de brûleur doit être déterminée visuellement.</p>	<ul style="list-style-type: none"> Utiliser l'illustration ci-dessous pour déterminer si la flamme de votre brûleur est normale. Si la flamme est semblable à A, appeler le technicien de service. Normalement, la flamme devrait être semblable à B ou C en fonction du type de gaz utilisé. Avec le gaz LP, il est normal que l'extrémité de la flamme sur le cône extérieur soit jaune.
<p>A-Flamme jaune Appelez le technicien de Service</p> <p>B-Extrémité jaune sur les cônes extérieurs Normal pour le gaz LP</p> <p>C-Flamme bleue pâle Normal pour le gaz naturel</p>		
<p>Les boutons de commande ne tournent pas</p>	<p>Le bouton n'est pas poussé au fond.</p>	<ul style="list-style-type: none"> Pour tourner de la position OFF (arrêt), pousser le bouton et tourner.
<p>Les brûleurs ne s'allument pas</p>	<p>La prise de la plaque de cuisson n'est pas complètement enfoncée.</p>	<ul style="list-style-type: none"> S'assurer que la prise d'alimentation électrique est branchée dans un circuit correctement mis à la terre.
	<p>L'alimentation en gaz n'est pas raccordée ou mise en circuit.</p>	<ul style="list-style-type: none"> Voir les instructions d'installation qui accompagnaient la plaque de cuisson.
	<p>Un fusible de votre domicile a sauté ou un disjoncteur s'est déclenché.</p>	<ul style="list-style-type: none"> Remplacer le fusible ou réenclencher le disjoncteur.
	<p>Les éléments du brûleur n'ont pas été replacés correctement.</p>	<ul style="list-style-type: none"> Voir la section <i>Entretien et nettoyage de votre plaque de cuisson</i>.
	<p>Les électrodes sous le brûleur sont sales.</p>	<ul style="list-style-type: none"> Voir la section <i>Entretien et nettoyage de votre plaque de cuisson</i>.
	<p>Les électrodes en céramique blanche ne sont pas bien fixées sous les brûleurs.</p>	<ul style="list-style-type: none"> Voir la section <i>Entretien et nettoyage de votre plaque de cuisson</i>.
	<p>La plaque de cuisson est verrouillée.</p>	<ul style="list-style-type: none"> Déverrouillez la plaque de cuisson. Voir la section <i>Utilisation des brûleurs de plaque de cuisson</i>.
	<p>Le trou de l'allumeur (sur certains modèles) est bloqué.</p>	<ul style="list-style-type: none"> Voir la section <i>Entretien et nettoyage de votre plaque de cuisson</i>.

Problème	Causes possibles	Que faire
Le bruit tic-tic de l'allumeur à étincelles persiste après l'allumage du brûleur	Le bouton de commande est encore sur la position LITE (allumage).	<ul style="list-style-type: none"> • Tourner le bouton de la position LITE (allumage) pour le placer au réglage désiré. • Eteindre le brûleur et le rallumer. Si le problème persiste, appelez pour le service.
Les flammes du brûleur sont très grandes ou jaunes	Mélange air/gaz incorrect.	<ul style="list-style-type: none"> • Si la plaque est connectée à une source de gaz LP, vérifiez toutes les étapes des instructions accompagnant la plaque.
La plaque de cuisson fait un bruit quand vous mettez un bouton de commande en position ON (marche)	La plaque de cuisson est verrouillée (sur certains modèles).	<ul style="list-style-type: none"> • Mettez le bouton de verrouillage des contrôles en position UNLOCK (déverrouillage).
Fines égratignures ou marques d'abrasion sur la surface de vitrocéramique	<p>Vous avez fait glisser un ustensile de cuisine sur la surface de la plaque de cuisson, en laissant des traces.</p> <p>Méthodes de nettoyage inappropriées.</p> <p>Utilisation d'ustensiles de cuisson dont le fond est rugueux ou présence de particules (sel ou sable) entre l'ustensile et la surface de la plaque de cuisson.</p>	<ul style="list-style-type: none"> • Voir la section <i>Nettoyage de la surface en vitrocéramique de la plaque de cuisson</i>. • Vous ne pourrez pas faire disparaître les égratignures. Vous rendrez moins visibles les égratignures peu profondes en nettoyant la plaque de cuisson. • Pour éviter les égratignures, utilisez les méthodes de nettoyage recommandées. Assurez-vous que le fond de vos ustensiles de cuisine soit propre avant de les utiliser et n'utilisez que des ustensiles de cuisine à fond bien lisse.
Décoloration de la plaque de cuisson	<p>Surface chaude sur un modèle avec une surface en vitrocéramique claire.</p> <p>Déchets de nourriture non nettoyés avant l'usage suivant.</p>	<ul style="list-style-type: none"> • C'est normal. La surface peut apparaître décolorée quand elle est chaude. Cette décoloration temporaire disparaît quand la surface en vitrocéramique refroidit. • Voir la section <i>Nettoyage de la surface en vitrocéramique de la plaque de cuisson</i>.
Matière plastique fondue sur la surface	De la matière plastique a été placée sur la plaque de cuisson chaude.	<ul style="list-style-type: none"> • Voir la section <i>Surface en vitrocéramique—possibilité de dommages permanents</i> dans la section <i>Nettoyage de la surface en vitrocéramique de la plaque de cuisson</i>.
Creux ou piqûres sur la plaque de cuisson	Mélange contenant du sucre chaud renversé sur la plaque de cuisson.	<ul style="list-style-type: none"> • Appelez un technicien pour remplacer la surface de la plaque de cuisson.

Garantie sur les plaques de cuisson à gaz. (Pour la clientèle au Canada)



Le service sous garantie est assuré par nos centres de service de l'usine ou par un technicien agréé Customer Care®. Pour obtenir le service, visitez notre site Web à electromenagersge.ca ou contactez 1.800.561.3344. Veuillez fournir le numéro de série et le numéro de modèle lorsque vous appelez pour obtenir le service.

Agrafez le reçu d'achat ici. Pour obtenir le service sous garantie, vous devrez fournir la preuve de l'achat original.

Pendant une période de : Mabe remplacera :

Une année
à partir de la date d'achat

Tout élément de la plaque de cuisson déficient à cause d'un vice de fabrication ou de main d'oeuvre. Durant cette **période de garantie limitée d'un an**, Mabe fournira également **sans frais** le service à domicile pour le remplacement de l'élément faisant défaut.

Ce que Mabe ne couvre pas :

- Le déplacement à votre domicile du technicien de service pour vous enseigner comment utiliser le produit.
- Installation, livraison ou entretien incorrectement effectués.
- Une panne du produit causée par une utilisation abusive, une mauvaise utilisation dans un but autre que celui pour lequel il a été conçu ou s'il a été utilisé commercialement.
- Le remplacement de fusibles à votre domicile ou le réenclenchement de disjoncteurs.
- Les dommages au produit causés par un accident, un incendie, une inondation ou un acte de Dieu.
- Les dommages indirects ou accidentels causés par des défauts possibles de cet appareil.
- Dommage occasionné après la livraison.
- Le service s'il est impossible d'avoir accès au produit pour ce faire.

EXCLUSION DE GARANTIES IMPLICITES – Votre seul et unique recours est la réparation du produit selon les dispositions de cette Garantie limitée. Toutes les garanties implicites, incluant les garanties de commercialité et d'adéquation à un usage spécifique, sont limitées à une année ou à la période la plus courte autorisée par la législation.

Cette garantie est offerte à l'acheteur initial, ainsi qu'à tout propriétaire subséquent d'un produit acheté en vue d'une utilisation domestique au Canada. Le service à domicile en vertu de la garantie sera fourni dans les régions où il est disponible et où Mabe estime raisonnable de le fournir.

Certaines provinces n'autorisent pas l'exclusion ou la limitation des dommages indirects, la limitation ou l'exclusion ne vous sont pas applicables. Cette garantie vous confère des droits spécifiques, et vous disposez de droits supplémentaires qui varient d'une province à l'autre. Pour en savoir plus sur les droits qui vous sont conférés pour une province donnée, consultez le bureau d'informations pour les consommateurs le plus proche ou le procureur de votre province.

**Garant : Mabe Canada Inc.
Burlington, Ontario**

Instructions de sécurité

Instructions de fonctionnement

Entretien et nettoyage

En cas de panne

Soutien au consommateur

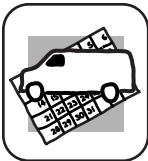
Soutien au consommateur.



Site Web appareils électroménagers GE

www.electromenagersge.ca

Vous avez une question ou vous avez besoin d'aide pour votre appareil électroménager? Contactez-nous par Internet au site www.electromenagersge.ca 24 heures par jour, tous les jours de l'année.



Service de réparations

1.800.561.3344

Service de réparations GE est tout près de vous.
Pour faire réparer votre électroménager GE, il suffit de nous téléphoner.



Studio de conception réaliste

Sur demande, GE peut fournir une brochure sur l'aménagement d'une cuisine pour les personnes à mobilité réduite.

Écrivez: Directeur, Relations avec les consommateurs, Mabe Canada Inc.
Bureau 310, 1 Factory Lane
Moncton, N.B. E1C 9M3

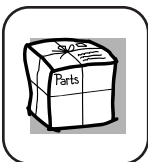


Prolongation de garantie

www.electromenagersge.ca

Achetez un contrat d'entretien GE avant que votre garantie n'expire et bénéficiez d'un rabais substantiel. Ainsi le service après-vente GE sera toujours là après expiration de la garantie.

Visitez notre site Web ou appelez-nous au 1.888.261.2133.



Pièces et accessoires

Ceux qui désirent réparer eux-mêmes leurs électroménagers peuvent recevoir pièces et accessoires directement à la maison (cartes VISA, MasterCard et Discover acceptées).

Les directives stipulées dans le présent manuel peuvent être effectuées par n'importe quel utilisateur. Les autres réparations doivent généralement être effectuées par un technicien qualifié. Soyez prudent, car une réparation inadéquate peut affecter le fonctionnement sécuritaire de l'appareil.

Vous trouverez dans les pages jaunes de votre annuaire le numéro du Centre de service Mabe le plus proche. Autrement, appelez-nous au 1.800.661.1616.



Contactez-nous

Si vous n'êtes pas satisfait du service après-vente dont vous avez bénéficié :

Premièrement, communiquez avec les gens qui ont réparé votre appareil.

Ensuite, si vous n'êtes toujours pas satisfait, envoyez tous les détails—numéro de téléphone compris—au Directeur, Relations avec les consommateurs, Mabe Canada Inc.
Bureau 310, 1 Factory Lane
Moncton, N.B. E1C 9M3



Inscrivez votre appareil électroménager

www.electromenagersge.ca

Inscrivez votre appareil électroménager en direct, aussitôt que possible. Cela améliorera nos communications et notre service après-vente. Vous pouvez également nous envoyer par la poste le formulaire d'inscription joint à votre documentation.