



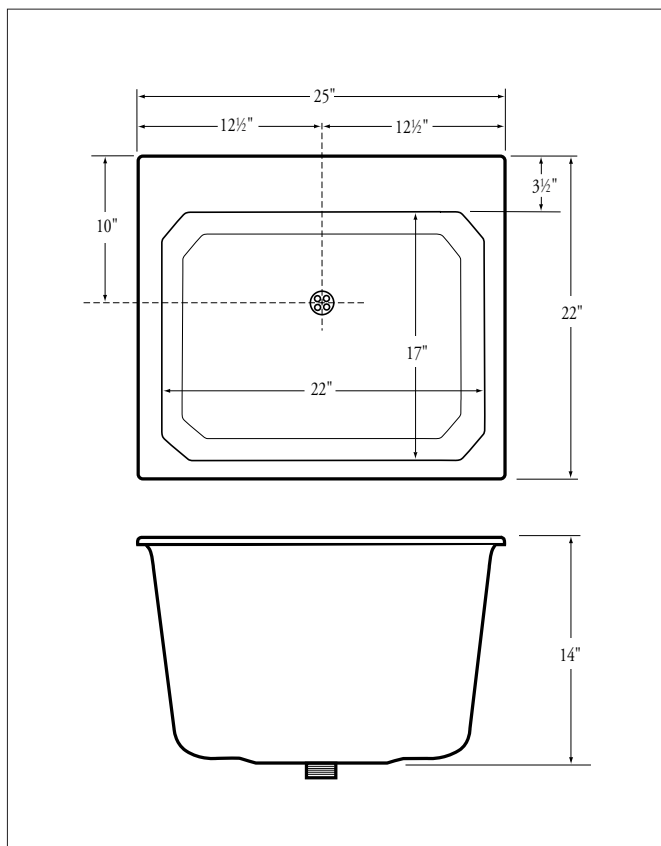
FLORESTONE
MODEL SR
SELF-RIMMING
UTILITY SINK

25" x 22" x 14"

Weight:

SR-1 (1/Box): 14 lbs.

SR-3 (3/Box): 38 lbs.



Architect's Specifications

Furnish and install Utility Sink Model SR as manufactured by Florestone Products Co. Unit to be self-rimming. Color will be white and will be resistant to fading and abrasion. Unit to have 1½" drain opening.

Standards



I.A.P.M.O. File No. 2647

ANSI-Z 124.6 -97



CSA Test • Warnock Hersey Listed:

CAN/CSA-B45.0 — CAN/CSA-B45.5



FLORESTONE

Quality Shower and Bath Products Since 1947.

FLORESTONE PRODUCTS CO., INC.

2851 Falcon Dr. • Madera, CA 93637-9287

Tel: 559-661-4171 • Fax: 559-661-2070

www.florestone.com

MODEL SR