

# INSTALLATION INSTRUCTIONS AND OPERATING AND MAINTENANCE GUIDE



**IMPORTANT:** Do not start installation until you have read **ALL** Installation Instructions **COMPLETELY**.

**INSTALLER:** Leave this manual for homeowner.

**HOMEOWNER:** Read this guide carefully and keep for future reference. Save this guide for local electrical inspector's use.

## A Note to You

*Please read the Installation Instructions and Operating and Maintenance Guide. It contains important information about how to install, operate and maintain your jetted bath properly and safely. Please read it carefully.*

*Also, please complete and mail the **Product Registration and Warranty Card** provided with your bath. This card helps us notify you about any new information for your bath.*

## IMPORTANT!

### Installation Procedures for:

*(Check when finished and pass on.)*

- Installer
- Plumber
- Electrician
- Finisher
- Clean-up Crew

## Whirlpools and Soaking Tubs

by LASCO Bathware, Inc.



## Record your model's information

Write down the following information about your jetted bath to better help you obtain assistance or service if you ever need it. You will need to know your complete model number and serial number. You can find this information on the model and serial number label/plate.

If you have any questions please call LASCO Bathware's Technical Service Department at (800)877-2005.

\_\_\_\_\_  
Builder/dealer name

\_\_\_\_\_  
Address

\_\_\_\_\_  
Phone number

\_\_\_\_\_  
Model number

\_\_\_\_\_  
Serial number

\_\_\_\_\_  
Purchase date

\_\_\_\_\_  
Date installed

# IMPORTANT SAFETY INSTRUCTIONS

**WARNING:** When using this unit, basic precautions should always be followed, including the following:



## READ AND FOLLOW ALL INSTRUCTIONS:

- **DANGER:** To reduce the risk of injury, do not permit children to use this unit unless they are closely supervised at all times.
- Use this unit only for its intended use as described in this manual. Do not use attachments not recommended by the manufacturer.
- Never drop or insert any object into any opening.
- Do not operate this unit without the guard over the suction fitting.
- The unit must be connected only to a supply circuit that is protected by a ground-fault circuit-interrupter (GFCI). Such a GFCI should be provided by the installer and should be tested on a routine basis. To test the GFCI, push the test button. The GFCI should interrupt power. Push the reset button. Power should be restored. If the GFCI fails to operate in this manner, there is a ground current flowing, indicating the possibility of an electric shock. Do not use this unit. Disconnect the unit and have the problem corrected by a qualified service representative before using.

## SAVE THESE INSTRUCTIONS.

### Pump/motor, heater, blower and optional lighted bath:

A separate 120-volt, 60-Hz, AC-only, 20-ampere circuit, protected by a ground-fault circuit-interrupter (GFCI) is required.

 <b>WARNING</b>

<b>Electrical Shock Hazard</b>
<b>Plug into a grounded 3-prong outlet.</b>
<b>Do not remove ground prong.</b>
<b>Do not use an adapter.</b>
<b>Do not use an extension cord.</b>
<b>Failure to follow these instructions can result in death, fire, or electrical shock.</b>

### Your safety and the safety of others are very important.

We have provided many important safety messages in this manual and on your appliance. Always read and obey all safety messages.



This is the safety alert symbol. This symbol alerts you to potential hazards that can kill or hurt you and others.

All safety messages will follow the safety alert symbol and either the word "DANGER" or "WARNING." These words mean:

### **DANGER**

**You can be killed or seriously injured if you don't immediately follow instructions.**

### **WARNING**

All safety messages will tell you what the potential hazard is, tell you how to reduce the chance of injury, and tell you what can happen if the instructions are not followed.

## TABLE OF CONTENTS

IMPORTANT SAFETY GUIDELINES.....	4
INSPECTION BEFORE INSTALLATION.....	5
BEFORE YOU START.....	5
INSTALLATION REQUIREMENTS.....	5
FRAMING & INSTALLATION PROCEDURES.....	6
SKIRT INSTALLATION PROCEDURES.....	12
ELECTRICAL CONNECTIONS.....	12
ELECTRICAL WIRING DIAGRAMS.....	14
FINAL SYSTEM TEST & CLEAN-UP.....	14
OPERATION INSTRUCTIONS.....	15
CARE AND MAINTENANCE PROCEDURES.....	18
CIRCULATING SYSTEM.....	19
WATER QUALITY ISSUES.....	20
BASIC WARRANTY.....	21
GENERAL TROUBLESHOOTING GUIDE.....	22
AIR SYSTEM TROUBLESHOOTING GUIDE.....	23

---

# IMPORTANT SAFETY GUIDELINES

Before taking your first whirlpool bath, be sure you have performed the “test run.” [See **OPERATION INSTRUCTIONS**, pg. 15.] Be sure that you are familiar with all the controls and switches and that the unit is operating properly. [See **IMPORTANT SAFETY INSTRUCTIONS**.]

1. Fill the bathtub with warm water. Water temperature must not exceed 104°F (40°C). Baths that are too hot can be dangerous to your health. Also, water that's too hot may cause discoloration and/or deform your whirlpool and its circulating system.
2. If you will not be operating the whirlpool system during your bath, you may fill the bathtub to any comfortable level. However, if you will operate the system, you must fill the bathtub as described in the section entitled **OPERATION INSTRUCTIONS**, pg. 15. This will assure proper operation of the system and keep the jets from spraying water outside the bathtub.

### 3. **A few important bathing “DONT’S”-**

**DO NOT** operate the whirlpool system if:

- The bathtub isn't filled to required levels above jets.
- You're pregnant (until you've consulted your doctor).
- You're taking medications or drugs that may make you drowsy.
- You're drinking any form of alcohol.
- You're using soap, bath oils or bubble bath. This may cause over-foaming, collect in and eventually clog the system. It's acceptable to use these after the whirlpool system has been turned off. Make sure to drain and rinse the bathtub afterwards.
- You've just had a meal. Wait for 30 minutes after dining.
- There is a child in the bathtub who may be left unattended at any time. Never allow small children to remain unattended in any bathtub.
- There are any small objects in the bathtub. The jet action can move small objects at high speeds, causing pain and possible injury.
- The safety suction cover is not in place. The suction cover is the large fitting with a pattern of holes on its face, mounted on the bathtub's side wall.
- Your hair is loose and longer than shoulder length. If it is, secure it close to the head with pins or wear a shower cap. Keep hair away from the suction cover.
- You're smoking. The heat of burning tobacco can damage the bathtub surface. Keep tobacco products and ashtrays away from the bathtub.
- You have problems with your immunity system (until you have consulted your doctor).
- Never operate electrical appliances (television, hair dryer, radio, telephone, etc.) inside or within five feet (5') of the bath.

## INSPECTION BEFORE INSTALLATION

1. Inspect the LASCO jetted bath to ensure it is the correct model number, size, color, and has all features, options and accessories originally ordered.
2. If damage or shortage has occurred, notify your distributor, freight carrier, or LASCO Customer Service Center at (800)94-LASCO.

**NOTICE: Under no circumstances should a damaged or defective bath be installed without prior factory approval. Neither LASCO Bathware nor the distributor will be responsible for removal or reinstallation costs should replacement of the bath be necessary.**

3. Whirlpool is factory-assembled, complete with motor, pump, controls and plumbing. **DO NOT** lift or support unit using plumbing lines or any part of circulation system. **DO NOT** relocate or otherwise modify any part of the factory-installed circulation system, as this may affect the performance or safe operation of the whirlpool and will **VOID ALL WARRANTIES**.
4. For a LASCO jetted tub supplied with a motor that has an integral pneumatic on/off switch - Make certain the air tube that is connected to the motor is also connected to the on/off button nipple under the deck in order for the system to function.
5. For a LASCO jetted tub supplied with a motor that has an integral electronic control - Make certain the wiring that is connected to the control is also connected to the keypad under the deck in order for the system to function.
6. Inspect whirlpool unit and circulation system carefully before installing. We suggest water testing the unit before installation. If any damages or defects are observed, **DO NOT INSTALL**. Repack unit and notify supplier immediately.
7. This unit has been factory-tested prior to shipment for leakage and proper operation of the system. However, in transit and handling, the half-unions on the suction and discharge ends of the pump may become loose. Make sure these are hand-tight.

## BEFORE YOU START

**IMPORTANT: Observe all governing codes and ordinances.**

1. Proper installation is your responsibility. Have a qualified technician install this bath.
2. Installation using a ground-fault circuit-interrupter (GFCI) is required. [See **ELECTRICAL CONNECTIONS** on page 12.]
3. It is the customer's responsibility:
  - To contact a qualified electrical installer.
  - To assure that electrical installation is adequate and in conformance with National Electrical Code, ANSI/NFPA 70 - latest edition.

Copies of this standard may be obtained from:  
National Fire Protection Association  
One Batterymarch Park  
Quincy, Massachusetts 02269

## INSTALLATION REQUIREMENTS

1. Ensure that the floor is level and can support a load of 50 lbs. per square foot. (If floor is not level, shims may be needed to level the bath.)

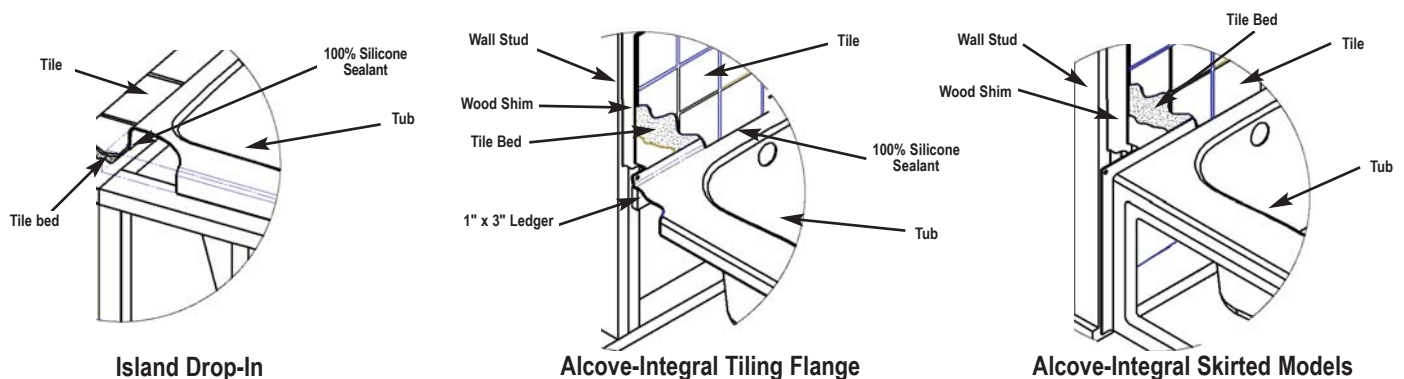
2. Plan installation to permit access for servicing. A minimum access panel of 15" x 20" must be provided to access the pump or other equipment should service be needed at a later date.
3. Rough-in should be kept to a minimum until the unit is on the job site. Measurements may vary plus zero and minus 3/8" (+0, -3/8") from original specifications.
4. Sufficient clearance must be provided for access to service connections (motor, pump, blower, controls and electrical hook-ups)
  - a) **Alcove Installation** (with optional skirt): Access is provided by removing the skirt. [See **FRAMING AND INSTALLATION PROCEDURES**, pg. 6.] To permit removal of skirt, allow at least 6" (150) clearance at both ends of tub: vanity, toilet, etc, must not obstruct skirt removal.
  - b) **Island or Pier Installations**: Provide access panel at motor end [see diagrams, pg. 10].
  - c) **Sunken Installations**: Provide access panel in floor or in ceiling below.
5. Drain/waste pipe stub must be located in wall or floor to match location of drain, waste and overflow kit tee fitting. Provide a 6" (150) x 12" (300) box-out in sub-floor or slab [see diagrams, pg. 10].
6. When fittings (spout, handles, valves, etc.) are to be mounted on the unit, be certain that the hot and cold water copper supply lines are located where there is ample room for mounting before setting the unit in place.

**WARNING - When using electrical products, basic precautions should always be followed, including the following:**

- a) **DANGER - Risk of Electrical Shock. Connect only a separate circuit protected by a ground-fault circuit-interrupter (GFCI).**
- b) Connection - Electrical hook-up must be performed by a licensed electrician in accordance with local, state and national electrical codes.
- c) Access Panel Required - For build-in custom units, provide an access panel for servicing electrical components. [See **ELECTRICAL WIRING DIAGRAMS**, pg. 14.]

## FRAMING & INSTALLATION PROCEDURES

1. Protect interior of tub throughout installation process.
2. Framing and supports will vary according to the model and type of installation selected. Follow dimensions on enclosed detail sheet [see charts, pgs. 7-9] for your specific unit (whirlpools and soaking tubs).



# INTEGRALLY SKIRTED WHIRLPOOLS, SOAKING TUBS AND DARSEYS

## ACRYLIC WHIRLPOOLS WITH INTEGRAL SKIRTS

UNIT NAME LUXURY / BUILDER'S CHOICE	UNIT MODEL # LUXURY / BUILDER'S CHOICE	OD" (mm)	AW" (mm)	ALCOVE DIMENSIONS 3-T LH" (mm)	OH" (mm)	REMOVABLE ACCESS PANEL
<b>INTEGRALLY SKIRTED WHIRLPOOLS:</b>						
N/A / DOSSI 30	N/A / 7160620	31 1/2" (795)	60 1/8" (1525)	18 1/4" (470)	20 1/4" (515)	NOT AVAILABLE
GIANI / DOSSI 32	7560621LX / 7460621	33 3/4" (845)	60 1/8" (1525)	18 1/4" (470)	20 1/4" (515)	STANDARD / WHIRLPOOL ONLY
GIOTTO / NOVELLI	7760621LX / 7660621	37 1/4" (945)	60 1/8" (1525)	18 1/4" (470)	20 1/4" (515)	STANDARD / WHIRLPOOL ONLY
CHARDIN / MARRATTA	5260421LX / 7260421	43 1/2" (1100)	60 1/8" (1525)	18 1/4" (470)	20 1/4" (515)	STANDARD / WHIRLPOOL ONLY
ANGELICO / VECELLI	7972621LX / 7872621	37 1/4" (945)	72 1/8" (1830)	18 1/4" (470)	20 1/4" (515)	STANDARD / WHIRLPOOL ONLY
CERANO / CARIANI	8172621LX / 8072621	43 1/4" (1100)	72 1/8" (1830)	18 1/4" (470)	20 1/4" (515)	STANDARD / WHIRLPOOL ONLY
BOTTICELLI / MORANDI	8360621LX / 8260621	28 1/2" (725)	58 1/2" (1485)	21 1/4" (545)	23 1/4" (590)	STANDARD / WHIRLPOOL ONLY
N/A	6030AIS	31 1/4" (795)	60 1/8" (1525)	16 1/2" (420)	18 1/4" (465)	STANDARD / WHIRLPOOL ONLY
<b>WHIRLPOOL TUB / SHOWER COMBINATIONS:</b>						
VENEZIA	(S)660531	35 1/2" (900)	60 1/8" (1525)	N/A	84" (2135)	NOT AVAILABLE
N/A	3660411	34" (856)	60 1/8" (1525)	N/A	84" (2135)	NOT AVAILABLE

## LASCOAT WHIRLPOOLS WITH INTEGRAL SKIRTS

UNIT NAME	UNIT MODEL #	OD" (mm)	AW" (mm)	ALCOVE DIMENSIONS 3-T LH" (mm)	OH" (mm)	REMOVABLE ACCESS PANEL
<b>INTEGRALLY SKIRTED WHIRLPOOLS:</b>						
ALANA II	2760411	43 1/2" (1100)	60 1/8" (1525)	19 3/4" (500)	21 1/2" (545)	NOT AVAILABLE
N/A	2720-SKWP	37 1/4" (945)	72 1/8" (1830)	19 3/4" (500)	21 1/4" (540)	NOT AVAILABLE
N/A	2603-TWWP	43 1/4" (1100)	60 1/8" (1525)	26" (660)	27 1/2" (700)	NOT AVAILABLE
GARDENIA I	2354411	42 1/2" (1075)	54 3/8" (1380)	22 3/8" (580)	24 1/4" (620)	NOT AVAILABLE
GARDENIA III	1160411	49 1/4" (1250)	60 1/8" (1525)	27 1/2" (700)	29" (735)	NOT AVAILABLE
N/A	6036-HWP	37 1/4" (945)	60 1/8" (1525)	16 3/4" (425)	18 1/4" (465)	NOT AVAILABLE
N/A	6036-HWWP	37 1/4" (945)	60 1/8" (1525)	16 3/4" (425)	26 1/4" (665)	NOT AVAILABLE
N/A	6042-HWP	43 1/4" (1100)	60 1/8" (1525)	16 3/4" (425)	18 1/4" (465)	NOT AVAILABLE
N/A	6042-HWWP	43 1/4" (1100)	60 1/8" (1525)	24 3/4" (630)	26 1/4" (665)	NOT AVAILABLE
N/A	6042-HCWWP	43 1/4" (1100)	60 1/8" (1525)	24 3/4" (630)	26 1/4" (665)	NOT AVAILABLE
N/A	6042-HCWP	43 1/4" (1100)	60 1/8" (1525)	18 3/4" (475)	20 1/4" (515)	NOT AVAILABLE

### REMOVABLE ACCESS PANEL (OPTIONAL)

UNIT NAME	UNIT MODEL #	OD" (mm)	AW" (mm)	ALCOVE DIMENSIONS 2-T LH" (mm)	OH" (mm)	SKIRT PANEL MODEL #	SKIRT PANEL SIZE	SKIRT PANEL STYLE
<b>INTEGRALLY SKIRTED CORNER BATHTUBS:</b>								
N/A	2600-CBDWP	58 1/2" (1485)	61 1/2" (1560)	21 1/4" (535)	23" (585)	1616RSP	16" x 16"	Smooth
N/A	2600-CCSWP	58 1/2" (1485)	61 1/2" (1560)	24" (610)	26" (660)	1616RSP	16" x 16"	Smooth
<b>DARSEY BATHTUB AND SHOWER SUITES:</b>								
DARSEY	10242-2P (WP)	43 1/4" (1100)	102" (2590)	26 1/2" (665)	78 3/4" (2000)	4816RSP	48" X 16"	Textured Tile
DARSEY	10242S-2P (WP)	43 1/4" (1100)	102" (2590)	26 1/2" (665)	78 3/4" (2000)	4816RSP	48" X 16"	Textured Tile
DARSEY	102STA-2P (WP)	43 1/4" (1100)	102" (2590)	26 1/2" (665)	78 3/4" (2000)	4816STRP	48" X 16"	Smooth Tile
DARSEY I	102HG-2P (WP)	43 1/4" (1100)	102" (2590)	26 1/2" (665)	78 3/4" (2000)	4816RSP	48" X 16"	Textured Tile
DARSEY I	102HGS-2P (WP)	43 1/4" (1100)	102" (2590)	26 1/2" (665)	78 3/4" (2000)	4816RSP	48" X 16"	Textured Tile
DARSEY II	114HG-2P (WP)	43 1/4" (1100)	114" (2895)	26 1/2" (665)	78 3/4" (2000)	6116RSP	61" X 16"	Textured Tile
DARSEY II	114HGS-2P (WP)	43 1/4" (1100)	114" (2895)	26 1/2" (665)	78 3/4" (2000)	6116RSP	61" X 16"	Textured Tile
<b>WHIRLPOOL TUB/SHOWER COMBINATIONS:</b>								
N/A	960411	33 3/4" (845)	60 1/8" (1525)	N/A	81 1/2" (2065)	MODEL HAS STANDARD REMOVABLE SKIRT		
N/A	1460411	33 3/4" (845)	60 1/8" (1525)	N/A	81 1/2" (2065)	1616RSP	16" x 16"	Smooth
N/A	2603-CTWWP	33 3/4" (845)	60 1/8" (1525)	N/A	73 1/4" (1860)	N/A	N/A	N/A
N/A	2603-DTWP	33 3/4" (845)	60 1/8" (1525)	N/A	77 1/4" (1960)	N/A	N/A	N/A
N/A	6036-STWP	37 1/4" (945)	60 1/8" (1525)	N/A	77 1/4" (1960)	5715RSP	57" x 15"	Swoop Design
N/A	6042-STWP	43 1/4" (1100)	60 1/8" (1525)	N/A	75 1/4" (1910)	5715RSP	57" x 15"	Swoop Design
N/A	6042-STWCWP	43 1/4" (1100)	60 1/8" (1525)	N/A	75 1/4" (1910)	5715RSP	57" x 15"	Swoop Design
N/A	7236-STWP	37 1/4" (945)	72 1/8" (1830)	N/A	77 1/4" (1960)	6813RSP	67 3/4" x 13 1/4"	Swoop Design

OD = Overall Depth • AW = Alcove Width • 2-T LH = 2-sided Tiling Flange, Ledger Height • 3-T LH = 3-sided Tiling Flange, Ledger Height • OH = Overall Height



## WHIRLPOOL & SOAKING TUB FRAMING DIMENSIONS

MODEL NAME	*UNIT MODEL #	SKIRT MODEL	SKIRT HEIGHT	ALCOVE DIMENSIONS:		3-T LH" (mm)	ISLAND DIMENSIONS			4-T DH" (mm)	OVERALL HEIGHTS
				LD" (mm)	AW" (mm)		LD" (mm)	IW" (mm)	Drop-In DH" (mm)		
ANTARES I	556062 LX	60ACSK	21 <sup>7</sup> / <sub>8</sub> " (555)	40" (1015)	60 <sup>7</sup> / <sub>8</sub> " (1525)	23 <sup>3</sup> / <sub>8</sub> " (595)	40" (1015)	58" (1475)	21 <sup>7</sup> / <sub>8</sub> " (555)	23 <sup>3</sup> / <sub>8</sub> " (595)	23 <sup>7</sup> / <sub>8</sub> " (605)
ANTARES II	326642 LX	66ACSK	21" (535)	40" (1015)	66 <sup>1</sup> / <sub>8</sub> " (1680)	22 <sup>1</sup> / <sub>2</sub> " (570)	40" (1015)	64" (1625)	21" (535)	22 <sup>1</sup> / <sub>2</sub> " (570)	23" (585)
ANTARES III	307262 LX	72ACSK	21" (535)	40" (1015)	72 <sup>1</sup> / <sub>8</sub> " (1830)	22 <sup>1</sup> / <sub>2</sub> " (570)	40" (1015)	70" (1780)	21" (535)	22 <sup>1</sup> / <sub>2</sub> " (570)	23" (585)
ALTAIR	916062 LX	—	—	60" (1525)	39 <sup>1</sup> / <sub>4</sub> " (995)	23 <sup>1</sup> / <sub>2</sub> " (600)	39 <sup>1</sup> / <sub>4</sub> " (995)	58" (1475)	22" (560)	—	24" (610)
ARIEL I	286042 LX	—	—	—	—	—	40" (1015)	58" (1475)	21" (535)	—	23" (585)
ARIEL II	336642 LX	—	—	—	—	—	40" (1015)	64" (1625)	21" (535)	—	23" (585)
ARIEL III	317262 LX	—	—	—	—	—	40" (1015)	70" (1780)	21" (535)	—	23" (585)
BELICIA	486062 LX	60ACSK	18 <sup>1</sup> / <sub>2</sub> " (470)	30" (760)	60 <sup>7</sup> / <sub>8</sub> " (1525)	20" (510)	30" (760)	58" (1475)	18 <sup>1</sup> / <sub>2</sub> " (470)	20" (510)	20 <sup>1</sup> / <sub>2</sub> " (520)
BRISBANE I	536062 LX	60ACSK	21 <sup>7</sup> / <sub>8</sub> " (555)	40" (1015)	60 <sup>7</sup> / <sub>8</sub> " (1525)	23 <sup>3</sup> / <sub>8</sub> " (595)	40" (1015)	58" (1475)	21 <sup>7</sup> / <sub>8</sub> " (555)	23 <sup>3</sup> / <sub>8</sub> " (595)	23 <sup>7</sup> / <sub>8</sub> " (605)
BRISBANE II	547262 LX	72ACSK	21 <sup>7</sup> / <sub>8</sub> " (555)	40" (1015)	72 <sup>1</sup> / <sub>8</sub> " (1830)	23 <sup>3</sup> / <sub>8</sub> " (595)	40" (1015)	70" (1780)	21 <sup>7</sup> / <sub>8</sub> " (555)	23 <sup>3</sup> / <sub>8</sub> " (595)	23 <sup>7</sup> / <sub>8</sub> " (605)
CETINA I	216042 LX	60ACSK	19 <sup>1</sup> / <sub>2</sub> " (495)	34" (865)	60 <sup>7</sup> / <sub>8</sub> " (1525)	21" (535)	34" (865)	58" (1475)	19 <sup>1</sup> / <sub>2</sub> " (495)	21" (535)	21 <sup>1</sup> / <sub>2</sub> " (545)
CETINA II	187242 LX	72ACSK	19 <sup>3</sup> / <sub>4</sub> " (500)	32" (815)	72 <sup>1</sup> / <sub>8</sub> " (1830)	21 <sup>1</sup> / <sub>4</sub> " (540)	34" (865)	70" (1780)	19 <sup>3</sup> / <sub>4</sub> " (500)	21 <sup>1</sup> / <sub>4</sub> " (540)	21 <sup>3</sup> / <sub>4</sub> " (550)
DELPHINIUS	126064 LX	6020CSK	20" (510)	29 <sup>1</sup> / <sub>8</sub> " (740)	59" (1500)	21 <sup>1</sup> / <sub>2</sub> " (545) 2-T	28 <sup>1</sup> / <sub>8</sub> " (715)	58" (1485)	20" (510)	—	22" (560)
EDEN	107262 LX	—	—	—	—	—	44" (1120)	69" (1750)	21 <sup>3</sup> / <sub>4</sub> " (550)	—	23 <sup>3</sup> / <sub>4</sub> " (605)
FIORA	766062 LX	—	—	23 <sup>3</sup> / <sub>4</sub> " (605)	58 <sup>1</sup> / <sub>2</sub> " (1485)	21" (535)	22 <sup>3</sup> / <sub>4</sub> " (580)	57 <sup>1</sup> / <sub>2</sub> " (1460)	19 <sup>1</sup> / <sub>2</sub> " (495)	—	21 <sup>1</sup> / <sub>2</sub> " (545)
GIORDANNO I	636062 LX	60ACSK	21 <sup>1</sup> / <sub>2</sub> " (545)	40 <sup>1</sup> / <sub>2</sub> " (1030)	60 <sup>9</sup> / <sub>8</sub> " (1540)	23" (585)	40" (1015)	58" (1475)	21 <sup>1</sup> / <sub>2</sub> " (545)	23" (585)	23 <sup>1</sup> / <sub>2</sub> " (595)
GIORDANNO II	657262 LX	72ACSK	21 <sup>1</sup> / <sub>2</sub> " (545)	40 <sup>1</sup> / <sub>2</sub> " (1030)	72 <sup>9</sup> / <sub>8</sub> " (1845)	23" (585)	40" (1015)	70" (1780)	21 <sup>1</sup> / <sub>2</sub> " (545)	23" (585)	23 <sup>1</sup> / <sub>2</sub> " (595)
KAYLA	516062 LX	6020CSK	20" (510)	29 <sup>1</sup> / <sub>8</sub> " (740)	59" (1500)	21 <sup>1</sup> / <sub>2</sub> " (545) 2-T	28 <sup>1</sup> / <sub>8</sub> " (715)	58" (1475)	20" (510)	—	22" (560)
LEANDRA I	596062 LX	—	—	—	—	—	40" (1015)	58" (1475)	20 <sup>1</sup> / <sub>2</sub> " (520)	—	23" (585)
LEANDRA II	617262 LX	—	—	—	—	—	40" (1015)	70" (1780)	20 <sup>1</sup> / <sub>2</sub> " (520)	—	23" (585)
LEILANI	937262 LX	—	—	72" (1830)	45 <sup>1</sup> / <sub>4</sub> " (1160)	23 <sup>1</sup> / <sub>2</sub> " (600)	45 <sup>1</sup> / <sub>4</sub> " (1160)	70" (1780)	22" (560)	—	24" (610)
MARA I	496062 LX	—	—	—	—	—	39 <sup>1</sup> / <sub>2</sub> " (1005)	58" (1475)	21 <sup>7</sup> / <sub>8</sub> " (555)	—	23 <sup>7</sup> / <sub>8</sub> " (605)
MARA II	507262 LX	—	—	—	—	—	40" (1015)	70" (1780)	21 <sup>7</sup> / <sub>8</sub> " (555)	—	23 <sup>7</sup> / <sub>8</sub> " (605)
MAYA	927262 LX	—	—	72" (1830)	40" (1015)	23 <sup>1</sup> / <sub>2</sub> " (600)	40" (1015)	70" (1780)	22" (560)	—	24" (610)
OCTAVIA	137284 LX	72ACSK	21" (535)	46" (1170)	72 <sup>1</sup> / <sub>8</sub> " (1830)	22 <sup>1</sup> / <sub>2</sub> " (570)	46" (1170)	70" (1780)	21" (535)	22 <sup>1</sup> / <sub>2</sub> " (570)	23" (585)
PEGASUS	227162 LX	72ACSK	20 <sup>5</sup> / <sub>8</sub> " (525)	45" (1145)	71 <sup>1</sup> / <sub>8</sub> " (1805)	22 <sup>1</sup> / <sub>8</sub> " (560)	45" (1145)	69" (1755)	20 <sup>5</sup> / <sub>8</sub> " (525)	22 <sup>1</sup> / <sub>8</sub> " (560)	22 <sup>5</sup> / <sub>8</sub> " (575)
SCULPTOR I	26053 LX	60ACSK	19 <sup>1</sup> / <sub>2</sub> " (495)	32" (815)	60 <sup>7</sup> / <sub>8</sub> " (1525)	21" (535)	32" (815)	58" (1475)	19 <sup>1</sup> / <sub>2</sub> " (495)	21" (535)	21 <sup>1</sup> / <sub>2</sub> " (545)
SCULPTOR II	296653 LX	66ACSK	19 <sup>1</sup> / <sub>2</sub> " (495)	32" (815)	66 <sup>1</sup> / <sub>8</sub> " (1680)	21" (535)	32" (815)	64" (1625)	19 <sup>1</sup> / <sub>2</sub> " (495)	21" (535)	21 <sup>1</sup> / <sub>2</sub> " (545)
SCULPTOR III	37253 LX	72ACSK	19 <sup>1</sup> / <sub>2</sub> " (495)	34" (865)	72 <sup>1</sup> / <sub>8</sub> " (1830)	21" (535)	34" (865)	70" (1780)	19 <sup>1</sup> / <sub>2</sub> " (495)	21" (535)	21 <sup>1</sup> / <sub>2</sub> " (545)
SYLVA	207262 LX	72ACSK	17 <sup>1</sup> / <sub>2</sub> " (445)	45" (1145)	71 <sup>1</sup> / <sub>8</sub> " (1825)	19" (485)	45" (1145)	70" (1780)	17 <sup>1</sup> / <sub>2</sub> " (445)	19" (485)	19 <sup>1</sup> / <sub>2</sub> " (495)
VASARI	676062 LX	60ACSK	18 <sup>1</sup> / <sub>2</sub> " (470)	40" (1015)	60 <sup>9</sup> / <sub>8</sub> " (1525)	20" (510)	40" (1015)	58" (1475)	18 <sup>1</sup> / <sub>2</sub> " (470)	20" (510)	20 <sup>1</sup> / <sub>2</sub> " (520)
VENUS I	46042 LX	60ACSK	19 <sup>3</sup> / <sub>4</sub> " (500)	40" (1015)	60 <sup>7</sup> / <sub>8</sub> " (1525)	21 <sup>1</sup> / <sub>4</sub> " (540)	40" (1015)	58" (1475)	19 <sup>3</sup> / <sub>4</sub> " (500)	21 <sup>1</sup> / <sub>4</sub> " (540)	21 <sup>3</sup> / <sub>4</sub> " (550)
VENUS II	57242 LX	72ACSK	19 <sup>3</sup> / <sub>4</sub> " (500)	42" (1065)	72 <sup>1</sup> / <sub>8</sub> " (1830)	21 <sup>1</sup> / <sub>4</sub> " (540)	42" (1065)	70" (1780)	19 <sup>3</sup> / <sub>4</sub> " (500)	21 <sup>1</sup> / <sub>4</sub> " (540)	21 <sup>3</sup> / <sub>4</sub> " (550)

\* Model Numbers: Whirlpools end with 1, Tubs end with 0



## WHIRLPOOL & SOAKING TUB FRAMING DIMENSIONS

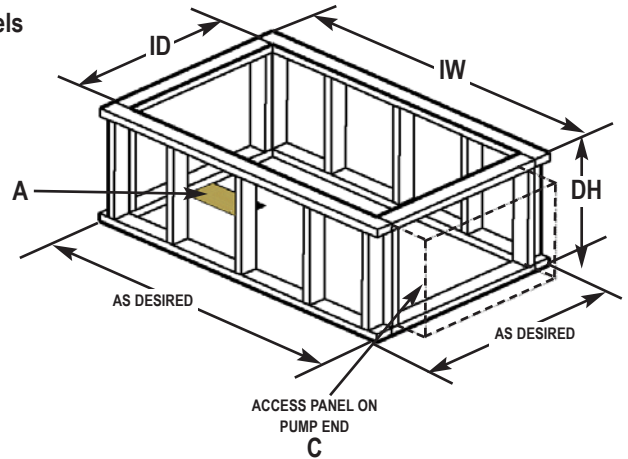
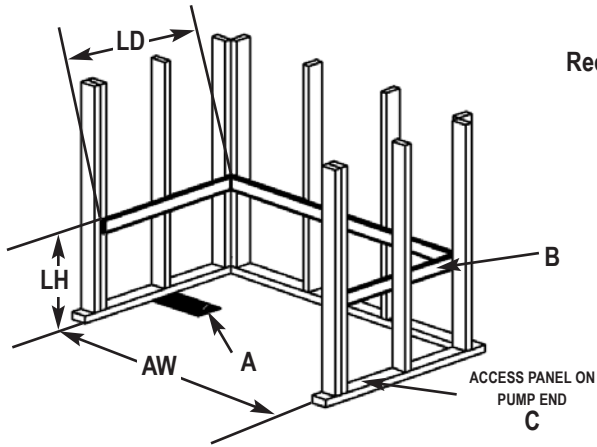
MODEL NAME	*UNIT MODEL #	SKIRT MODEL	SKIRT HEIGHT	ALCOVE DIMENSIONS: LD* (mm)	AW* (mm)	3-T LH* (mm)	ISLAND DIMENSIONS: ID* (mm)	IW* (mm)	Drop-in DH* (mm)	4-T DH* (mm)	OVERALL HEIGHTS
ALYDAR I	566062	60ACSK	21 7/8" (555)	40" (1015)	60 1/8" (1525)	23 3/8" (595)	40" (1015)	58" (1475)	21 7/8" (555)	23 3/8" (595)	23 3/8" (605)
ALYDAR II	577262	72ACSK	21 7/8" (555)	40" (1015)	72 1/8" (1830)	23 3/8" (595)	40" (1015)	70" (1780)	21 7/8" (555)	23 3/8" (595)	23 3/8" (605)
ASCOT I	436053	60ACSK	19 1/2" (495)	32" (815)	60 1/8" (1525)	21" (535)	32" (815)	58" (1475)	19 1/2" (495)	21" (535)	21 1/2" (545)
ASCOT II	446653	66ACSK	19 1/2" (495)	32" (815)	66 1/8" (1680)	21" (535)	32" (815)	64" (1625)	19 1/2" (495)	21" (535)	21 1/2" (545)
ASCOT III	457253	72ACSK	19 1/2" (495)	34" (865)	72 1/8" (1830)	21" (535)	34" (865)	70" (1780)	19 1/2" (495)	21" (535)	21 1/2" (545)
AZRA I	586062	—	—	—	—	—	40" (1015)	58" (1475)	20 1/2" (520)	—	23" (585)
AZRA II	607262	—	—	—	—	—	40" (1015)	70" (1780)	20 1/2" (520)	—	23" (585)
AZUCAR I	906062	—	—	60" (1525)	45 3/4" (1160)	23 1/2" (600)	45 3/4" (1160)	58" (1475)	22" (560)	—	24" (610)
AZUCAR II	897262	72ACSK	22" (560)	72" (1830)	45 3/4" (1160)	23 1/2" (600)	45 3/4" (1160)	70" (1780)	22" (560)	—	24" (610)
BATAVIA	666062	60ACSK	18 1/2" (470)	40" (1015)	60 1/8" (1525)	20" (510)	40" (1015)	58" (1475)	18 1/2" (470)	20" (510)	20 1/2" (520)
BELMONT I	396062	—	—	—	—	—	39 1/2" (1005)	58" (1475)	21 7/8" (555)	—	23 3/8" (605)
BELMONT II	407262	—	—	—	—	—	40" (1015)	70" (1780)	21 7/8" (555)	—	23 3/8" (605)
CAVALCADE	386062	6020CSK	20" (510)	29 1/8" (740)	59" (1500)	21 1/2" (545) 2-T	28 1/8" (715)	58" (1475)	20" (510)	—	22" (560)
DERBY	376062	60ACSK	18 1/2" (470)	30" (760)	60 1/8" (1525)	20" (510)	30" (760)	58" (1475)	18 1/2" (470)	20" (510)	20 1/2" (520)
DEAUVILLE	466062	60ACSK	18 1/2" (470)	28" (710)	60 1/8" (1525)	20" (510)	28" (710)	58" (1475)	18 1/2" (470)	20" (510)	20 1/2" (520)
HIALEAH I	626062	60ACSK	21 1/2" (545)	40" (1015)	60 1/8" (1525)	23" (585)	40 1/2" (1030)	58 1/2" (1485)	21 1/2" (545)	23" (585)	23 3/2" (595)
HIALEAH II	647262	72ACSK	21 1/2" (545)	40" (1015)	72 1/8" (1830)	23" (585)	40 1/2" (1030)	70 1/2" (1790)	21 1/2" (545)	23" (585)	23 3/2" (595)
MONTROSE I	416062	60ACSK	19 1/2" (495)	34" (865)	60 1/8" (1525)	21" (535)	34" (865)	58" (1475)	19 1/2" (495)	21" (535)	21 1/2" (545)
MONTROSE II	427262	72ACSK	19 3/4" (500)	34" (865)	71 1/8" (1825)	21 1/4" (540)	34" (865)	70" (1780)	19 3/4" (500)	21 1/4" (540)	21 3/4" (550)
MORICE	887262	72ACSK	22" (560)	72" (1830)	40" (1015)	23 1/2" (600)	40" (1015)	70" (1780)	22" (560)	—	24" (610)
PREAKNESS	956062	—	—	23 3/4" (605)	58 1/2" (1485)	21" (535)	22 3/4" (580)	57 1/2" (1460)	19 1/2" (495)	—	21 1/2" (545)
VELENCIA 1.5	866662	—	—	—	—	—	41 1/2" (1054)	63 3/4" (1619)	18 1/2" (470)	—	19 1/2" (495)
VELENCIA 2	826062	—	—	—	—	—	42 1/2" (1079)	72" (1830)	18 1/2" (470)	—	19 1/2" (495)
N/A	2600-CCWP	—	—	27 1/2" (700)	58 1/2" (1485)	21 3/4" (550)	—	—	—	—	22" (560)
ALANA I	266041*	—	—	40" (1015)	60 1/8" (1525)	—	40" (1015)	58" (1475)	16 1/2" (420)	18" (460)	18 1/2" (470)
JASMINE I	176042	960025 SK	—	34" (865)	60 1/8" (1525)	—	34" (865)	58" (1475)	19" (485)	—	21" (530)
JASMINE II	157242	972035 SK	—	34" (865)	72 1/8" (1830)	—	34" (865)	70" (1780)	19" (485)	—	21" (530)
LILIA	166042	960025 SK	—	40" (1015)	60 1/8" (1525)	—	40" (1015)	58" (1475)	16 1/2" (420)	—	18 1/2" (470)

\* Model Numbers: Whirlpools end with 1, Tubs end with 0, and Air/Whirlpools end with 1AW

# ALCOVES

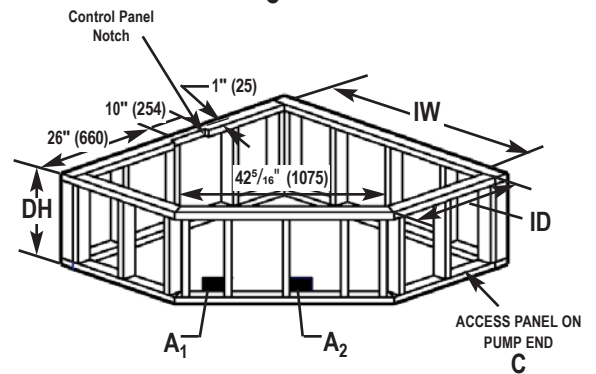
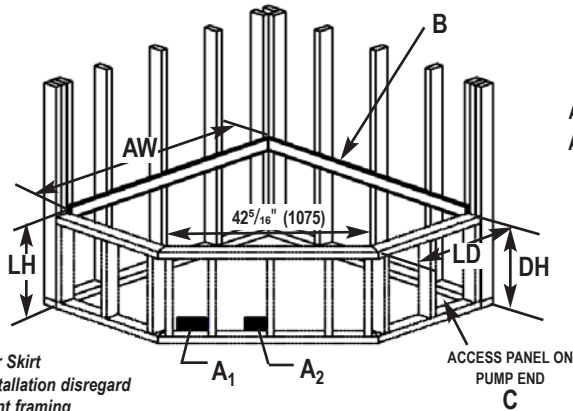
# ISLANDS

## Rectangular Models



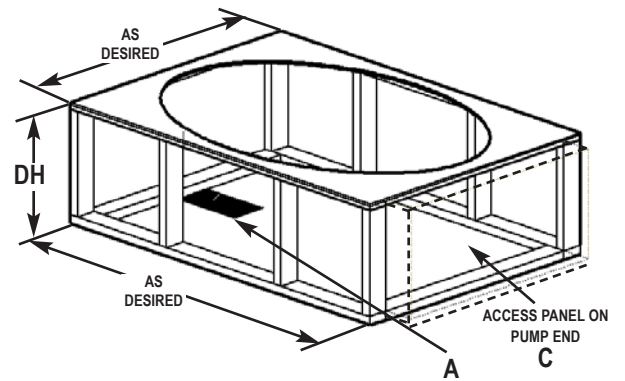
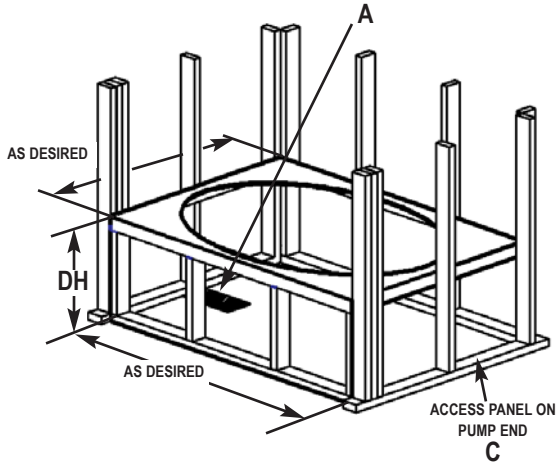
## Corner Models

A<sub>1</sub> = Delphinus  
A<sub>2</sub> = Kayla & Cavalcade

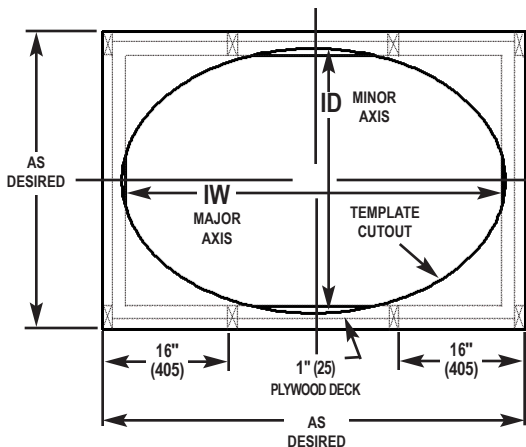


Note: For Skirt Installation disregard front framing

## Oval Models

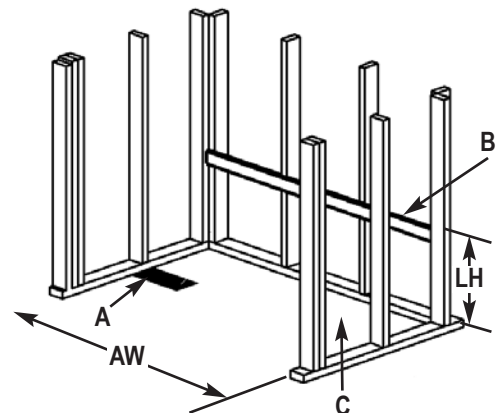


## Integrally Skirted Models



**DECK CUTOUT** - A paper template will be enclosed with all oval models. For the deck cutout, scribe on the deck two center lines (a major and minor axis). Next, match the center lines and trace the ellipse. Repeat this step three more times. Once the tracing is complete, cut out the ellipse. The dimensions should be exactly 2" (50) smaller than the unit.

- A - 6" x 12" (150 x 305) Box-outs
- B - Leveled Supports
- 1" x 3" (25 x 75) Ledgers
- C - 12" x 18" (305 x 460) minimum access

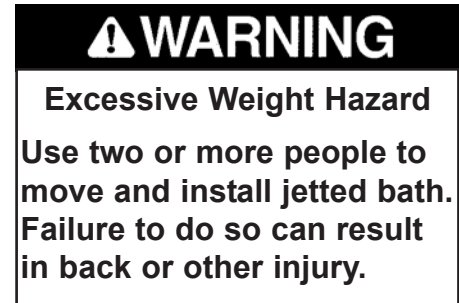


**WARNING - When using electrical products, basic precautions should always be followed, including the following:**

**DANGER - RISK OF ELECTRIC SHOCK. Connect only to a circuit protected by a ground-fault circuit-interrupter (GFCI).**

**(For built-in and custom units.) Install to permit access for servicing.**

1. Install outlet(s) as shown. [See **ELECTRICAL WIRING DIAGRAMS**, pg. 14.] The outlet must be a minimum of 6" above the floor and be accessible through the access panel.
2. Place the bath in the location for installation. Check that the bath is level (length and width). A carpenter's level is recommended. If necessary, place shims under support legs. Make measurements for framework construction. Remove bath from location.
3. Construct framework.
  - Ensure that construction and construction materials comply with applicable code requirements for the installation site.
  - All framing must be square, level and designed to provide structural support.
  - Do not allow tub rim to support any of the bath weight.
4. An access panel, 15" x 20" minimum, must be provided to allow access to the pump, blower, electrical connections, and other accessories.
5. **ALL MODELS WITH LEVELING FEET** - The following procedure is recommended for pre-leveled bottoms. Lift unit by the rim and place in alcove or framework. If necessary, shim feet until unit just rests on leveled ledges or framework (air systems must rest on leveling feet). Secure the unit by fastening the bottom feet to the subfloor with any construction adhesive caulk. The use of casting plaster or plaster of paris is suggested but not mandatory as a foundation support between floor and bottom of unit to suppress noise and give a rock-solid feel for the user.
6. **WHIRLPOOL & SOAKING TUB MODELS WITHOUT LEVELING FEET** - (Including island or self rimming units) Just before placing unit in alcove or framework, spread a bed of casting plaster or plaster of paris on the floor or subfloor. Limit the size of bed to dimensions of bottom. Lift unit by the rim and place in alcove or framework. Press down until the tub perimeter rim just rests securely on top of the ledge or framework on all sides. This step is vital and mandatory to prevent shifting after installation and for proper operation, drainage and weight distribution. Use a carpenter's level to check that the unit is level.
7. The rim of the bath is not designed to support weight. If finished material is to overlap or contact the bath, the added weight must be fully self-supporting.



**IMPORTANT: If a skirt is to be used, it must be installed at the time of tub installation. [See SKIRT INSTALLATION PROCEDURES, pg. 12.] Install optional trim parts when all installation has been completed.**

# SKIRT INSTALLATION PROCEDURES

## ACRYLIC UNITS

Most (not all) LASCO integrally skirted whirlpools have color matching removable panels for alcove and corner installations [see charts, pg. 7]. **All integrally skirted units MUST BE INSTALLED BEFORE the finished floor and wall materials are installed.**

The skirt can be used as an access panel to the pump and controls, and is designed to have the finished wall materials butt up to the acrylic skirt frame and allows installation clearances for baseboard heaters and floor materials.

**To remove skirt panel:** Simply pry loose at the top corners and pull outward (away from frame).

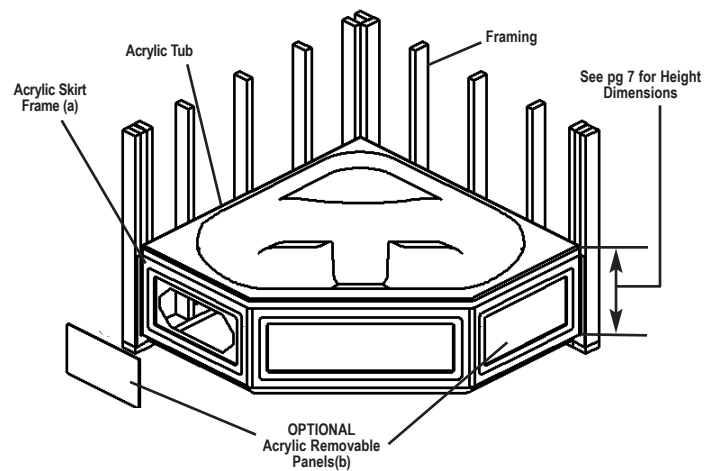
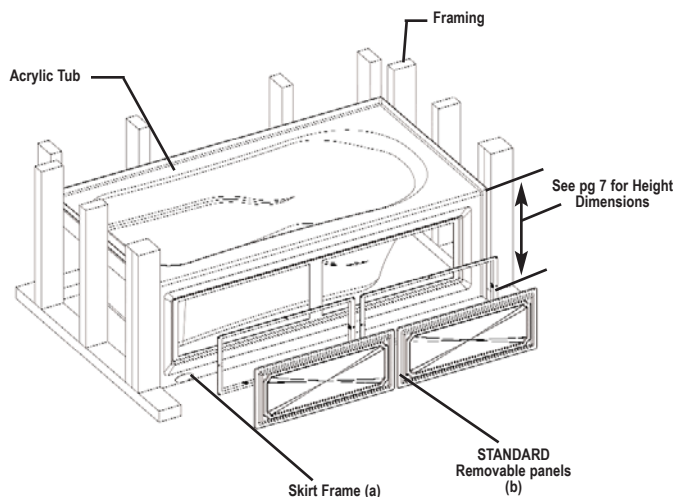
**To reinstall skirt panel:** Simply set panel in frame (bottom side first) and push forward. Lightly depress the tabs on the top of the panel while pushing forward until the panel snaps into its frame.

**IMPORTANT: Before installation of the skirt, fill the unit and test the whirlpool system and drain waste for leaks. Test the whirlpool system for proper operation.**

Skirt kit contents:

- a) Molded color matched skirt frames
- b) Molded color matched removable skirt panels (if this option has been ordered)

**NOTE: Lascoat (gelcoat) skirt installation instructions are shipped with each skirt.**



## ELECTRICAL CONNECTIONS

### READ AND FOLLOW ALL INSTRUCTIONS

All local state and national electrical codes must be observed by a licensed electrician in connecting power to the LASCO Whirlpool.

### IMPORTANT SAFETY INSTRUCTIONS

**WARNING - When using electrical products, basic precautions should always be observed, including the following:**

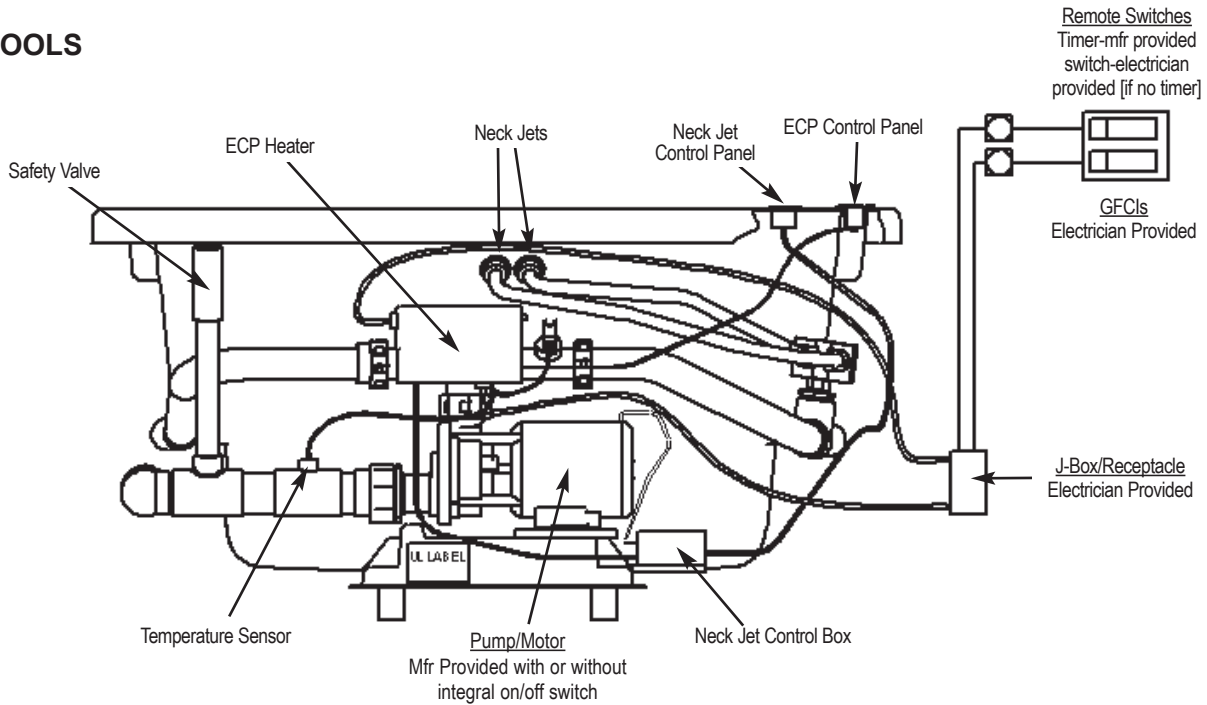
#### 1. READ AND FOLLOW ALL INSTRUCTIONS.

- 2. Circuit - A separate circuit (not to supply any other electrical devices) is required as follows: Each electronic component (pump, blower and heater) must be connected to a separate 11//120 20 AMP circuit. Wire coding is black (hot), white (neutral) and green (or bare copper for ground) for both circuits.

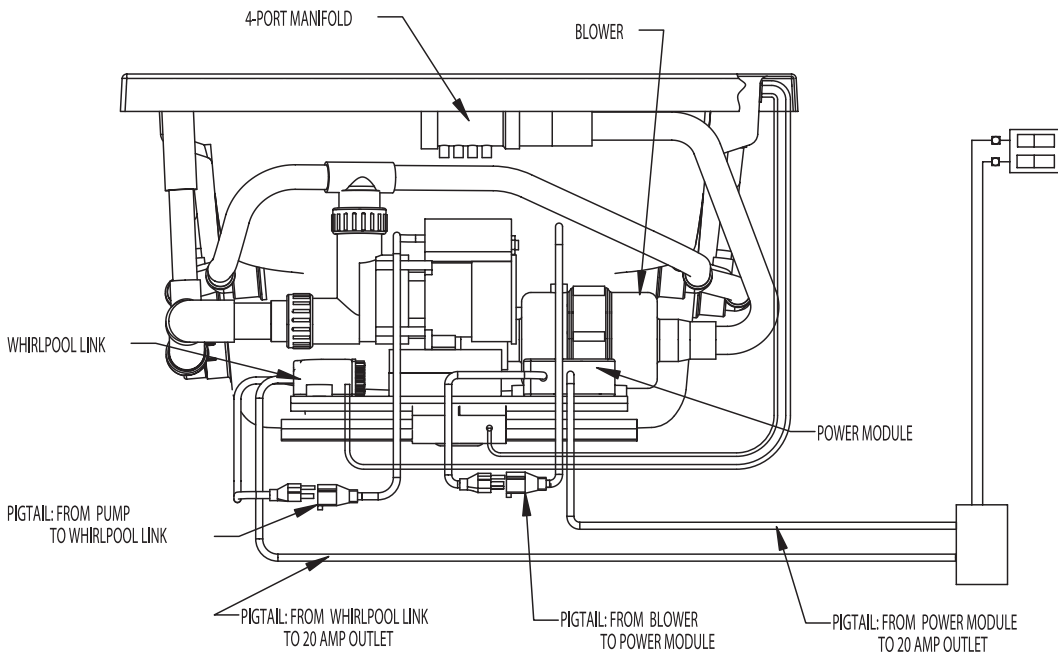
3. GFCI - A ground-fault circuit-interrupter (GFCI) must be installed in the circuits which bring power to the whirlpool; do not omit. To test the GFCI, push the test button. The GFCI should interrupt power. Push the reset button. Power should be restored. If the GFCI fails to operate in this manner, there is a ground current flowing, indicating the possibility of an electric shock. Do not use this unit. Disconnect the unit and have the problem corrected by a licensed electrician before using.
4. Grounding - Some motors have a three prong electrical plug requiring a black (hot), white (neutral) and green (or bare copper for ground) wired circuit. Other motors have a two prong electrical plug requiring only a black (hot) and white (neutral) wired circuit because they are double plastic insulated, requiring no grounding. However, a ground should be run from J-box receptacle to electrical house panel per code.
5. Bonding - A pressure wire connector is provided on the exterior of some motors (and optional heater) within this unit to permit connection of a No. 8 AWG solid copper bonding conductor between all electrical equipment, as needed to comply with local requirements. Double plastic insulated motors have no pressure wire connector as it is not needed.
6. Wall Switch - A remote wall switch is required by many state codes. It must not be within 5 ft (1.5m) reach of a bather while standing in the tub and it must be mounted at a height to be out of the reach of small children. Not further than 10 ft (3.0m) away. A remote wall timer switch (as per item #7) satisfies this requirement.
7. Wall Timer - LASCO Whirlpools may be supplied with a remote mechanical wall timer. The power supply for this switch is to be connected from the house panel. The timer is required by many state codes and is to be mounted at least 5 ft (1.5m) away from the tub. It must not be within reach of a bather while standing in the tub and it must be mounted at a height to be out of the reach of small children. Not further than 10 ft (3.0m) away.
8. Integral On/Off Switch - For a LASCO Whirlpool supplied with a motor that has an integral on/off switch - Make certain the air tube that is connected to the motor is also connected to the on/off button nipple under the deck in order for the system to function.
9. Transformer - For LASCO Whirlpools supplied with a transformer to provide 12 volts D.C. to the underwater mood light, connect the transformer directly to the motor circuit.
10. Inline Heater - Units equipped with an inline heater have their own electrical pigtail and three prong plug to be plugged into its own dedicated circuit.
11. Electric Control Package (ECP) - Units with this device have all pre-connected components (motor, heater, transformer, and temperature control) with two (2) electrical pigtails equipped with two (2) three prong plugs to be plugged into their own dedicated circuits.
12. Air/Whirlpool Control - Units with this configuration have pre-connected components (blowers, pumps and transformers) with (2) electrical pigtails equipped with (2) three prong plugs to be plugged into their own dedicated circuits. Make certain the wiring connected to the controls is also connected to the keypad.
13. Neck Jet Pillow - For LASCO Whirlpools supplied with neck jet pillow(s) - make certain that solenoid valve cable, control head cable, and pump/motor is plugged into supplied electronic control box. Connect electronic control box power cord into its own dedicated 20 amp circuit. Provide an access panel(s) for neck jet system(s) maintenance.

# ELECTRICAL WIRING DIAGRAMS

## WHIRLPOOLS



## AIR/WHIRLPOOL SYSTEMS



## FINAL SYSTEM TEST & CLEAN-UP

### To test system, follow these steps in order listed:

1. Fill clean tub with water to a point no less than 3" (75) above the highest jet (6" (150), if equipped with a Lumbar Jet). Dirt left in tub may cause staining.
2. To test the ground-fault circuit-interrupter (GFCI), push the test button. The GFCI should interrupt power. Push the reset button. Power should be resorted. If the GFCI fails to operate in this manner, there is a ground current



flowing, indicating the possibility of an electric shock. Do not use this unit. Disconnect the unit and have the problem corrected by a licensed electrician before using.

3. If so equipped, turn on integral on/off switch, remote wall and/or timer switch. (Set timer, if included, for 30 minutes.)
4. Push on/off button on the whirlpool/blower unit (if included).
5. Turn air control knobs counter-clockwise to full open to increase whirlpool action. Turn knobs clockwise to cut-off action.
6. Allow system to run a full 10 minutes. (If so equipped, automatic timing systems can be stopped at any time by pushing on/off button. Each time they are restarted, they are automatically set to run a 10-minute cycle).
7. Through access door or removable skirt, check for leaks in whirlpool plumbing system. Make sure half-unions at both ends of pump are hand-tight. If leakage is occurring at any other points, notify distributor.
8. **If any electrical malfunctions occur, consult electrician. Malfunctions of the pump/motor, whirlpool controls or the circulating system should be reported to the distributor who supplied the whirlpool tub.**

## Clean-up

1. Remove all construction residue and foreign materials. Wipe unit clean with a damp rag, otherwise staining may occur.
2. Plaster may be removed by scraping with the edge of a piece of wood or rigid plastic. DO NOT use metal scraper. For spots left by plaster or grout: rub lightly with a liquid detergent (Spic and Span® or similar) on a damp cloth or sponge.
3. DO NOT use abrasive cleaners, scouring powders, steel wool, wire brushes or anything else that may harm or dull the surface.
4. Paint, tar or stubborn stains may be removed with paint thinner, turpentine or rubbing alcohol. To avoid discoloration, cleaners containing petroleum distillate must not remain on surfaces. NEVER use lacquer thinner or chlorinated solvents.
5. Dulled areas can be restored to a high gloss with white or cream-colored automotive rubbing compound, followed by application of carnauba wax or white or cream automotive paste wax and buffing.
6. Remove minor scratches with 600 grit wet/dry sandpaper, followed by use of automotive rubbing compound and paste wax, as above.
7. Major gouges require professional repair. Contact supplier to arrange factory-authorized repair services.

## OPERATION INSTRUCTIONS

### Your whirlpool bathtub--what it is and how it works.

Your whirlpool bathtub is a large, extra deep bathtub with a built-in circulating system that mixes the bath water with air and pumps the mixture back into the bathtub creating the hydromassage action. Because it is a bathtub it must be drained after each use.

The circulating system mixes air and water and must never be operated unless the bathtub is filled as described in the section entitled "Before Your First Use."



## BEFORE YOUR FIRST USE

The professionals who installed your whirlpool bathtub received detailed installation procedures, some of which you need to know about before filling and operating your bathtub for the first time.

1. **Make sure bathtub is clean** - If there are any residues or foreign materials left from construction, clean the bathtub thoroughly. Use only the methods and materials described in the section entitled **CARE AND MAINTENANCE PROCEDURES**, pg. 18.
2. **Fill bathtub above jets** - For your first "test run," use cold water. Fill the bathtub until the water is at least 3" (75) above the highest jet. Never operate the whirlpool unless water is at least this high.
3. **Optional remote power switch** - A separate switch on your bathroom wall may control power to the whirlpool bathtub. For your safety, it should not be within reach of a person standing in the bathtub and it should be high enough to be out of reach of small children. Please refer to and abide by all state and local plumbing and electrical codes.

### Starting the whirlpool system: If installed, set remote power switch to ON.

1. **On/off button** - Models, so equipped, will have a button mounted on the bathtub and may not have a wall-mounted timer, or an integral timer. Pushing the button forces a column of air to a control which turns the pump motor on or off.
2. **Optional wall-mounted timer** - For models (if so equipped) with a wall mounted timer, set the timer by turning the dial to the desired timed duration.
3. **On/off button with optional 10-minute timer** - Models so equipped will contain an optional built-in 10 minute operating cycle which will shut the whirlpool off automatically. Pushing the on/off button at any time during the 10 minute "run" period will shut the whirlpool off. Each time the system is restarted by the button, it will run for 10 minutes, unless the button is pushed again.
4. **Ground-fault circuit-interrupter (GFCI)** - Test the GFCI as described in the section **IMPORTANT SAFETY INSTRUCTIONS**. This extra safety device is mounted either at the remote power switch or in your home's electrical panel. Push the test button. The GFCI should interrupt power. Push the reset button. Power should be restored. If the GFCI fails to operate in this manner, there is a ground current flowing, indicating the possibility of an electric shock. Do not use this product until the problem is corrected by a licensed electrician.
5. **Open air control(s)** - Turning the air control knob counterclockwise admits air into the circulating system. To shut off the bubble action turn knob clockwise as far as it will go. **NOTE:** Water will continue to flow through the jets as long as the pump is operating and jets are in "open" position.

Some models have a single air control for all jets. Others have two or more knobs, each controlling one or more jets. Open and close each control to see which jet(s) it controls.

6. **Directional jet nozzles** - The nozzle on each jet rotates freely 360°. You can adjust its position to concentrate the whirlpool action against a specific part of the body or to adjust the overall whirlpool action in the bathtub. Water flow can be adjusted by turning the face plate of the jet. Turning the jet clockwise turns the jet to very low, turning counterclockwise turns the jet to maximum.

## Luxury and Lascoat Whirlpools

1. **Optional underwater mood light** - If your whirlpool is equipped with this option it will have a button mounted on the bathtub. The mood light does not have a 10 minute operating cycle and will stay on until pressed again to shut it off. The electrical connection for the mood light may be made to the GFCI circuit supply used by the motor. The colored light filters may be interchanged to your color preference by snapping them off and on the light body.

2. **Optional in-line heater** - The optional in-line heater is factory installed and pre-set to maintain water temperature at 104°F (40°C). If the water is too hot, adjust the temperature by adding cold water and/or open all air controls. Make small adjustments and always test the water prior to entering the tub. The in-line heater has a water flow sensor which prevents it from being operated when the pump/motor is off.
3. **Optional Rotating Massage (Adjusta-Swirl) Jets - Luxury Whirlpools only** - Simply pull out the directional jets with optional rotating massage jets by lifting tab and twisting, then “click” the rotating jet into place and enjoy a soft, pulsating massage.

## Air/Whirlpool Combinations Only

1. **Air Blower** - Push the blower key once to turn the blower on, then press key once again to turn the blower off.  
 Increase Pulse - Press and hold the +/- key, release at desired speed  
 Decrease Pulse - Press and hold +/- key again, release at desired speed  
 Wave pulse - Press wave key once, speed will vary gradually from maximum to minimum. Press wave key again, system turns off and on, then off again. Press again and the blower returns to maximum speed.
2. **PUMP** - Push the "on" key to start pump. Push the "off" key to stop the pump. (Refer to the air control and jet operating instructions, pg. 16.)
3. **Air System Purge Cycle** - An automatic drying cycle will start 20 minutes after water has left the tub.
4. **Water Detector** - Activates a drying cycle 20 minutes after the bathtub is emptied even when the blower was not used (i.e. a shower or cleaning).

## Luxury Whirlpools only

1. **Optional Electronic Control Package** - The optional electronic control package is factory installed and features pump motor on/off, mood light on/off, in-line heater with digital temperature readout/control.
2. **Pump** - Push the "Pump" key once to turn the pump on. Push the "Pump" key once again to turn the system off. The pump will automatically shut off after 20 minutes, unless manually turned off first. Simply push the "Pump" key again to reactivate pump.
3. **Light** - Push "Light" key once and programmed color will be displayed. Press "Light" key again, light will turn off.  
**Light Scan Mode**- Push the "Light" key again within 3 seconds of turning the light off to begin color scan mode.  
**Light Hold Mode**- To hold on particular light pattern, scan through to desired light pattern turn light off and then on again. If the light stays off for more than 3 seconds you will have to return to step one.
4. **Temperature Control** - Push and hold the "-Temp" key to decrease set temperature. Push and hold "+Temp" key to increase set temperature point. During normal operation the control will display the water temperature.
5. **Low Water Sensor** - The Electronic Control Package is equipped with a low water sensor. If the water sensor detects an inadequate water level in the tub, the pump will not start and an "H2O" error message will appear on the display. To start system, simply fill water level above the sensor and activate pump.
6. If any other error message appears on the control, discontinue using the bathtub and call LASCO's technical service department at (800)877-2005.

**If all systems are “GO”** - You're ready for your first whirlpool bath. Drain the bathtub and refill it with warm water.

If system doesn't operate as described - Turn it off immediately. Go over and repeat each of the preceding steps. If it still won't work refer to the **GENERAL TROUBLESHOOTING GUIDE**, pg. 22.

7. If so equipped, when operating the whirlpool system, make sure the optional remote wall switch is in the “on” position before entering the bath. Set the wall timer (if included) to the desired time duration.

8. Enter the bathtub. Sit back, stretch out, relax. Push the on/off button (if so equipped). You'll feel water being pumped gently out of the jets. To add the stimulation of air bubbles, turn the air controls counterclockwise. Turn the jet nozzles to direct the air/water mixture against aching or tired limbs and muscles or adjust the nozzles to create maximum whirlpool action in the whole bathtub. Adjust the volume of water by rotating the face plate of individual jets, counterclockwise for more water, clockwise for less water.
  9. If your whirlpool bathtub is equipped with a lumbar jet (directing jet action at the lower back) you may wish to cut off its air action after a few minutes. Use the appropriate air control or re-direct the flow of the jet for more comfort.
  10. If this unit is ordered with an optional integral timer, the timer will turn off the circulating system in approximately 10 minutes. To stop whirlpool action at any time, push the on/off button. Each time the system is restarted it will run for 10 minutes unless turned off sooner. If the bathtub is equipped with a wall-mounted timer, the system will run for pre-selected time duration. **IMPORTANT: If you leave the bathtub before the end of the pre-set cycle, do not touch the remote power switch or the wall timer until you are completely dried off.**
  11. If equipped with an in-line heater, water temperature should remain constant. However, if you do not have an in-line heater and bath water becomes too cool - turn off system, open drain to lower water level, close drain and refill to previous level with hot or warm water to restore desired bath temperature.
  12. **Selected models with optional Neck Jet Pillow System - Two options available:**
    - a) Neck Jet 1 (Controls Pillow Only)
    - b) Neck Jet 2 (Controls Whirlpool Pump and Pillow)
- For operation and maintenance instructions, please see information enclosed with the neck jet pillow.

## CARE AND MAINTENANCE PROCEDURES

### Tub Care

- Ground-fault circuit-interrupter (GFCI): This device must be tested on a routine basis. [See **IMPORTANT SAFETY INSTRUCTIONS** section, inside cover.]

### Cleaning your whirlpool bathtub

**IMPORTANT! Use only the recommended cleaners and procedures described in this section. Use of other materials and methods may harm your whirlpool and will VOID THE WARRANTY.**

### Acceptable Cleaning Procedures for Acrylic and Gel Coat Surfaces

The surface of your whirlpool bathtub will retain its color and gloss indefinitely with normal use, but many bathroom cleaning agents can harm it. Read and follow the cleaning and maintenance instructions in this booklet.

- **To keep your LASCO unit sparkling clean:** Apply a coat of good quality automotive paste wax and buff to a high shine with a soft cloth or bath towel. Repeat every six months for easier cleaning and long lasting protection. **NOTE: DO NOT** wax textured standing/walking surfaces.
- **For normal cleaning:** Never use abrasive cleaners, steel wool, scrapers, sandpaper or anything else that could scratch or dull the surface of your LASCO unit. Instead use warm water and **liquid** detergents, especially those bathroom cleaners recommended for cleaning fiberglass or acrylic surfaces such as: Top Job® All-Purpose; Ajax® All-Purpose; Mr. Clean® All-Purpose; Boraxo® Bathroom; Fantastik® Bathroom; Lysol® Bathroom; Woolworth® Bathroom; Kroger® Bright Basin; Tub & Tile®; Carbona® Tile & Bath; chlorine

bleach; Easy-Off® Mildew Stain Remover; X-14® Mildew Stain Remover; Lime-A-Way® Bathroom/Kitchen; Liquid Spic & Span®; or similar materials.

- **To restore a scratched or dull unit:** Use an automotive polishing compound applied with a clean cotton rag. Rub scratches and dull areas vigorously. Wipe off residues. Follow with automotive wax treatment described above.
- **To remove adhesive:** Try 3-M® Natural Cleaner, De-Solv-IT®, rubbing alcohol or similar materials and rub vigorously until the adhesive dissolves and disappears. These solvents are highly flammable and must be used sparingly and with caution. Do not smoke or permit others to do so. Make sure all nearby heating devices (including pilot lights) are extinguished. Do not allow solvent to go down the drain. Make sure not to contact plastic drain grates or other synthetic materials.

**CAUTION: When using any cleaning or polishing materials, make sure to read and follow all package instructions carefully. Wear rubber gloves at all times and avoid contact with eyes, skin, clothing, rugs and furnishings. Make sure all residues are rinsed off thoroughly.**

**Rubber mats: If you use a rubber or plastic “anti-skid” mat, make sure to remove it from the unit after each shower to avoid harm to the surface finish.**

**HARD WATER: WATER IN CERTAIN AREAS, IF NOT WIPED UP AFTER BATHING/SHOWERING, MAY CAUSE FADING OF SOME BATH FIXTURE COLORS. THIS IS A NATURAL OCCURRENCE BEYOND LASCO’S CONTROL. [SEE BASIC WARRANTY, PG. 22.]**

## **CIRCULATING SYSTEM**

**FAILURE TO PERFORM PERIODIC MAINTENANCE PROCEDURES MAY CAUSE SAFETY AND/OR HEALTH PROBLEMS AND MAY HARM THE BATHTUB, THE CIRCULATING SYSTEM AND PUMP, AND WILL VOID THE WARRANTIES.**

**Circulating System: The whirlpool system must be purged at least monthly.**

To remove accumulations of bath residue from the whirlpool system, we recommend that you purge it at least twice a month, or more depending upon usage. To do this, follow this simple procedure. Fill the bath with hot water (not exceeding 140°F). Add to the hot water, 4(6) tablespoons of low foaming detergent such as liquid Cascade or Calgonite and 24(48)oz. of liquid household bleach, such as Clorox (use lesser amounts shown for 5-foot bathtubs, greater amounts in parentheses for larger bathtubs). Turn the air controls completely off. Run the whirlpool for 5 to 10 minutes. Drain the bath completely and refill with cold water only. Run the whirlpool for 5 to 10 minutes. Drain the bath completely and refill with cold water only. Run the whirlpool for 5 to 10 minutes, then drain the bath completely. Depending on the usage and/or the content of the local water supply, more frequent purging may be necessary.

The use of certain bath oils, bubble baths, and bath additives may increase the level of accumulations of bath residue in the whirlpool system. More frequent cleaning may be necessary if these products are used in the whirlpool tub. If excess accumulations persist, you should discontinue use of these products.

If you have followed the monthly purging instructions and still have an excess accumulation of bath residue and desire an alternative cleaning mechanism, we recommend **SUPER SYSTEMS CLEAN PLUS** manufactured by Stearns Packaging Corporation to rectify this condition. This may be obtained by contacting LASCO Bathware, Inc., at 800/877-2005. It is recommended that you follow the instructions provided by the manufacturer with the product. Repeated use may be necessary. **SUPER SYSTEMS CLEAN PLUS** does not replace necessity to purge your whirlpool system at least monthly with a low foaming detergent and bleach.

# WATER QUALITY ISSUES

## For Fill and Drain Whirlpool Baths

Owners of fill and drain whirlpool bathtubs need to know basic information concerning water quality, how it affects the performance and enjoyment of the operation of their tubs, and steps that can be taken by the owner to correct related problems. Important issues are the microbiological and chemical quality of the water.

### 1. Microbiological Quality

Microbes are present in water supplied by individual wells or water systems and even in the air around us. These microbes are usually in amounts below what is noticeable. Microbes from the water or air or from a bather's body may settle on wetted surfaces such as a whirlpool bathtub's surface or piping system where they can grow in numbers where we can notice them. With regards to whirlpool bathtubs, brown/black fungi/mold or pigmented (colored) bacteria can be noted.

**Fungi/Mold** - Fungi and mold are always present. Usually the levels are such that we don't notice them. When moisture and temperature are sufficient, the organisms will grow to levels that we may smell and/or see. The best examples of such growth is the very common black growth on the bottom of shower curtains. The best solution to keep these surfaces free from the growth is frequent cleaning.

**Pigmented Bacteria** - Water utilities from all over the United States have experienced calls from consumers inquiring and complaining about pinkish substance on bathroom fixtures that is very persistent, appearing in the shower, sink and along the water line of toilet bowls. With whirlpool bathtubs, the formation of this colored substance may be particularly pronounced in white tubs. The residue is less likely a problem associated with water quality than with naturally occurring airborne bacteria. The bacteria may produce a pinkish film, and sometimes a dark gray film, on surfaces that are regularly moist, including toilet bowls, shower heads, sink drains, and tiles. The problem is more common in humid areas of the country. In any particular case, the determination of the exact species of bacteria causing the problem would require lengthy and costly laboratory testing; however, most experts believe the bacteria responsible is *Serratia marcescens*. These bacteria thrive on moisture, dust and phosphates, and are widely distributed in soil, food and also in animals. The American Water Works Association (AWWA) suggests that short of buying pink fixtures, the best solution to keep these surfaces free from the bacterial film is continual cleaning. The AWWA recommends a chlorine containing compound as the best cleaner and avoiding abrasives to avoid scratching fixtures, which will make them even more susceptible to bacteria.

### 2. Chemical Quality

The water supplied by individual wells or water systems always contains chemicals, usually in amounts below those which the consumer would notice. Examples of such chemicals, which are of potential concern for the owners of fill and drain whirlpool bathtubs, are calcium and magnesium salts, copper, iron, manganese and sulfates. When these chemicals are present in sufficient amounts, they may cause problems in whirlpool bathtubs. You should contact your water supply or treatment company and follow their suggestions for treatment.

**Calcium and Magnesium Salts** - Collectively, the various compounds of calcium and/or magnesium are referred to as salts. Calcium and magnesium salts are often found in ground water supplies and cause "hardness" in water. Hard and soft water are relative terms. Hard water retards the cleaning action of soaps and detergents, causing expense in the form of extra work and cleaning agents. When hard water is heated, it will deposit a hard scale. With regard to whirlpool bathtubs, high calcium and/or magnesium levels may result in the formation of white stains and scale formation on the inside of the tubs, especially noticeable with colored tubs. If this occurs, you need to contact the water supplier to determine the calcium and/or magnesium content and/or corrosion potential of the water and follow their suggestions for treatment. If you are on an individual well, you need to contact a water treatment company to test your water and suggest solutions if a problem is present.

**Iron** - Iron is found in many natural waters especially from wells. Iron in water can also result from the corrosion of piping in the water supply system, such as cast iron mains or galvanized steel service lines, or galvanized piping in the home water system. High iron levels may result in the formation of brown stains in the vicinity of the



---

faucet outlets of various fixtures in the home. With whirlpool bathtubs, the staining may be particularly pronounced because the aeration action can oxidize iron to a form that settles out on the inside of the tubs, especially noticeable with white tubs. If high iron in the water is present, you can also notice rust colored deposits inside your toilet tank or dishwasher. If this occurs, you need to contact the water supplier to determine the iron content and/or corrosion potential of the water and follow their suggestions for treatment. If you are on an individual well you need to contact the water treatment company to test your water and suggest solutions if a problem is present.

**Manganese** - Manganese is found in many natural waters especially from wells. High manganese levels may result in the formation of small black particles that can stain laundry, especially noticeable with whites such as sheets or towels. With whirlpool bathtubs, the formation of small black particles may be particularly pronounced because the aeration action in the tub can oxidize manganese to an insoluble form that is especially noticeable with white tubs. If high manganese in the water is present, you may also notice black stains on white laundry. If this occurs, you need to contact the water supplier to determine the manganese content of the water and following their suggestions for treatment. If you are on an individual well, you need to contact a water treatment company to test your water and suggest solutions if a problem is present.

### 3. Treatment

If you have contacted your water supplier and followed its instructions and you are still having problems, you need to increase the frequency of applications of low-foaming detergent/bleach starting from monthly purging down to using it every other day as required to eliminate your particular problem.

The use of certain bath oils, bubble baths and bath additives may increase the level of accumulations of bath residue in the whirlpool system. More frequent cleaning may be necessary if these products are used in the whirlpool tub. If excess accumulations persist, you should discontinue the use of these products.

If you have followed the monthly purging instructions and still have an excess accumulation of bath residue and desire an alternative cleaning mechanism, we recommend SUPER SYSTEMS CLEAN PLUS manufactured by Stearns Packaging Corporation to rectify this condition. This may be obtained by contacting LASCO Bathware at 800/877-2005. It is recommended that you follow the instructions provided by the manufacturer with the product. Repeated use may be necessary. SUPER SYSTEMS CLEAN PLUS does not replace the necessity to purge your whirlpool system at least once a month with a low foaming detergent and bleach.

## BASIC WARRANTY

LASCO Bathware, Inc. extends to the original consumer purchaser a limited warranty on all LASCO Bathware Whirlpool Bathtubs (the "Unit") against defects in material or workmanship which result in significantly altered appearance or which affect the performance of the unit as a bath fixture for a designated period of time from the date of installation as listed below.

LASCO Bathware also warrants the factory-installed plumbing, pump, motor, blower and fittings (the "System") against defects which prevent proper operation of the whirlpool system for a period of time from the date of installation as listed below.

Should the Unit or the System be other than warranted during their respective warranty periods, LASCO will, at its option (after inspection and verification of the claimed defect) either repair the Unit or System or supply replacements without charge for the Unit or System for transportation, related thereto, but excluding any costs of removal or installation.

### Luxury Whirlpools:

All LASCO Luxury Whirlpools are backed by a fifteen (15) year limited non-transferable warranty on the Whirlpool body and on the Whirlpool operating system.

**Builder's Choice Whirlpools:**

All Builder's Choice Whirlpools (including air combination systems) are backed by a seven (7) year limited non-transferable warranty on the Whirlpool body and a seven (7) year limited non-transferable warranty on the Whirlpool operating system.

**Lascoat Whirlpools:**

All Lascoat Whirlpools are backed by a three (3) year limited non-transferable warranty on the Whirlpool body and a three (3) year limited non-transferable warranty on the Whirlpool operating system.

**Acrylic Soaking Tubs:**

All LASCO acrylic soaking tubs, jetted and non-jetted tub/shower combinations are backed by a five (5) year limited non-transferable warranty.

**WARNING: Whirlpool pump and piping are factory assembled. Relocation of pump or other modifications could adversely affect the performance and safe operation of this whirlpool. LASCO Bathware shall not be liable under its warranty or otherwise for personal injury or damage caused by any such unauthorized modification.**

See actual warranty document packed with each whirlpool for more specific details.

## GENERAL TROUBLESHOOTING GUIDE

**Pump will NOT start:**

1. Make sure power is ON.
2. Check GFCI and reset switch if necessary.
3. Check to see that air hose is properly connected.

**Pump runs, water NOT circulating:**

1. Jets may be closed. Turn jets counter-clockwise to open water flow.
2. Make sure bath water is at required level (3") above the highest jet.
3. Suction screen may be clogged. While motor is off, unscrew safety suction cover and remove any accumulated debris. Replace suction screen before operating.
4. If necessary, call a plumber to check the suction line. If problem persists, notify the nearest LASCO plant to arrange a repair service call.

**Water circulating slowly:**

1. Follow above procedures.
2. If problem persists, call a qualified electrician to check for incorrect voltage. If further repair is required, notify the nearest LASCO plant to arrange a repair service call.

**Water leakage:**

1. Call a plumber to determine and correct source of leak. If plumber determines that whirlpool system is at fault, notify the nearest LASCO plant to arrange a repair service call.

**Motor overheats (protector trips):**

1. Low voltage.
2. Motor windings connected for wrong voltage.
3. Inadequate ventilation.
4. Wiring too small.

**Pump runs and there is water flow, but no heat:**

1. Press "Hot" Arrow to increase temperature. Do NOT expect to feel hot water coming from the jets.



2. Make sure the operating mode, "the Control Module," is presently in and will allow the heater to come ON.
3. Make sure all jets are open to allow a full flow of water through the system. Limited water flow will NOT build up enough pressure to allow the heater to come on.
4. While motor is off, clean the suction screen to assure maximum water flow. Do not operate whirlpool without replacing suction screen.
5. The system is equipped with a heater delay switch that will prevent heater operation from occurring for approximately 15 seconds after pump starts. Make sure the pump has been operating for at least 20 seconds.

**Mood Light Doesn't Function:**

1. Not plugged in (most frequent cause).
2. Bulb burned out (Follow bulb replacement instructions enclosed with Mood Light).

## **AIR SYSTEM TROUBLESHOOTING GUIDE**

**Blower will not start:**

1. Make sure power is ON.
2. Check GFCI and reset switch if necessary.
3. Check to see that the control wiring is properly connected.

**GFCI tripping:**

1. Verify that both the pump and the blower are connected to their own dedicated GFCI breaker. If the problem persists, call a qualified electrician to inspect the GFCI breaker.

**Blower starts on its own:**

1. The air system is equipped with a purge cycle that will start 20 minutes after water has receded from the bathtub, even if the system has not been used, i.e. a shower or cleaning. (This is normal)
2. A Power outage may cause the system to purge.
3. If problem persists and is not due previous use or a power outage notify the nearest LASC0 plant to arrange a repair service call.

**Purge cycle does not come on:**

1. Verify that the power to the system is not supplied via a wall timer or a safety switch. If the timer is off the purge cycle will not start.

**Blower runs, air not coming from jets:**

1. Verify that the 1 1/4 "air hose is still connected between the blower and the manifold. If not, simply reconnect and tighten the hose clamps.

**Blower runs, not all jets are working:**

1. Jets may be clogged by calcium or other debris. Determine which jets are not functioning by filling the tub with enough water to cover the jets, turn the system on, locate which jets are not working and lightly tap them with the plastic head of a screwdriver or a small plastic hammer.

**Blower overheats (thermal overload trips):**

1. Verify that the blower has adequate ventilation.
2. May be caused by low voltage or improper wiring. Call a qualified electrician to inspect. If further repair is required, notify the nearest LASC0 plant to arrange a repair service call.

## ■ CENTRALIZED CUSTOMER SERVICE CENTER

1521 N. Cooper Street, Suite 500  
Arlington, TX 76011  
Ph: 800/94LASCO  
FAX 866/544-5353

## ■ MANUFACTURING FACILITIES

### **West**

3261 E. Miraloma Ave.  
Anaheim, CA 92806  
PH: 800-877-0464, 714-961-9735  
FAX: 800-328-6465

### **Rocky Mtn./North West**

801 Northern Pacific  
Yelm, WA 98597  
PH: 800/444-5126  
FAX: 360-458-3024

### **West Central**

P.O. Box 310  
Moapa, NV 89025  
PH: 800-335-5151, 702-864-2100  
FAX 800-799-258

### **South West/South Central**

151 Industrial Street  
Lancaster, TX 75134  
PH: 800-876-3044  
FAX: 972-227-0769

### **North Central**

888 W. Broadway  
Three Rivers, MI 49093  
PH: 800-444-1426  
FAX: 269-273-3053

### **North East**

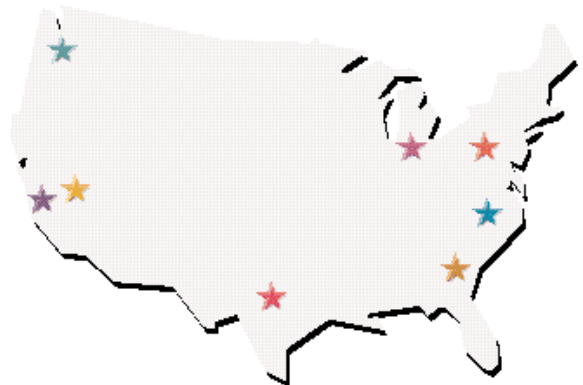
40 Industrial Road  
Conewago Industrial Park  
Elizabethtown, PA 17022  
PH: 800-444-0781  
FAX: 717-367-4722

### **Mid-Atlantic**

1100 Industrial Park Road  
South Boston, VA 24592  
PH: 800-444-0832  
FAX: 434-572-1794

### **South East**

210 S. Harris St.  
Cordele, GA 31015  
PH: 800-444-0926  
FAX: 229-273-6838



**LASCO<sup>®</sup>**  
**BATHWARE**

8101 E. Kaiser Blvd, Suite 130 • Anaheim, CA 92808  
(800) 877-2005 • [www.LASCOBathware.com](http://www.LASCOBathware.com)  
LAB-WP-IP 25M 12/04 • PRINTED IN U.S.A.