



**Badger[®] 1, Badger[®] 5, Badger 5XP[®],
Badger[®] 9, Badger[®] 10s**

AnswerLine[®]
1-800-558-5700

www.insinkerator.com

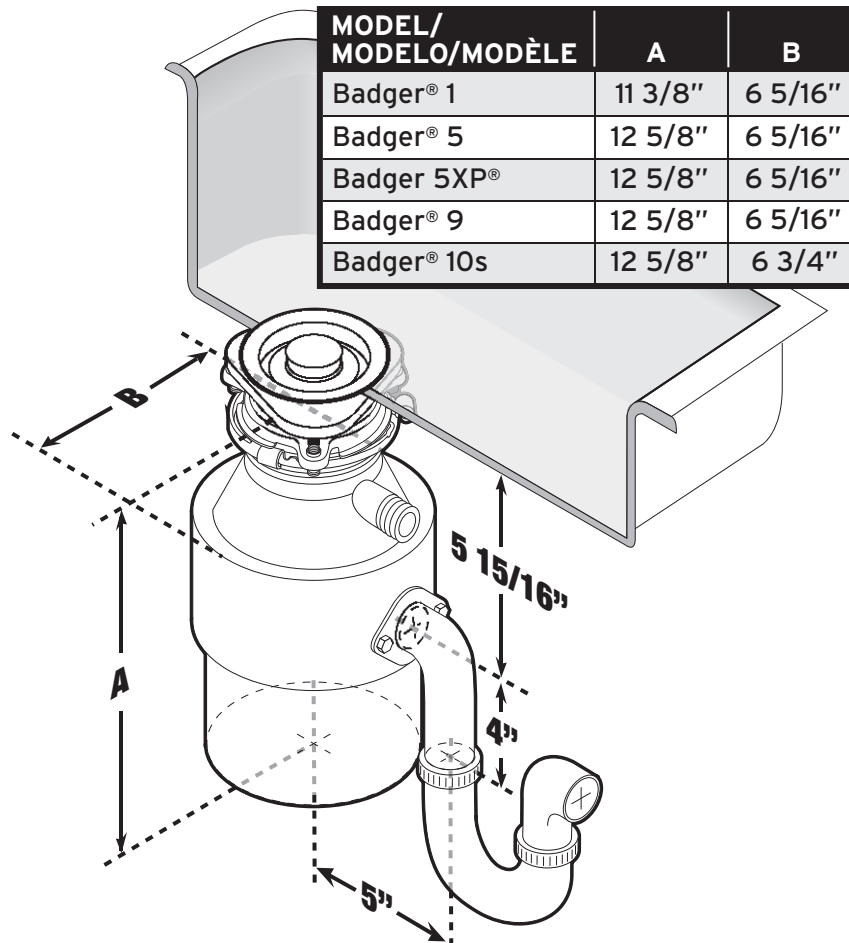
75393 Rev A

Badger[®] 1, 5, 5XP[®], 9, 10s

 Read all warnings before proceeding.

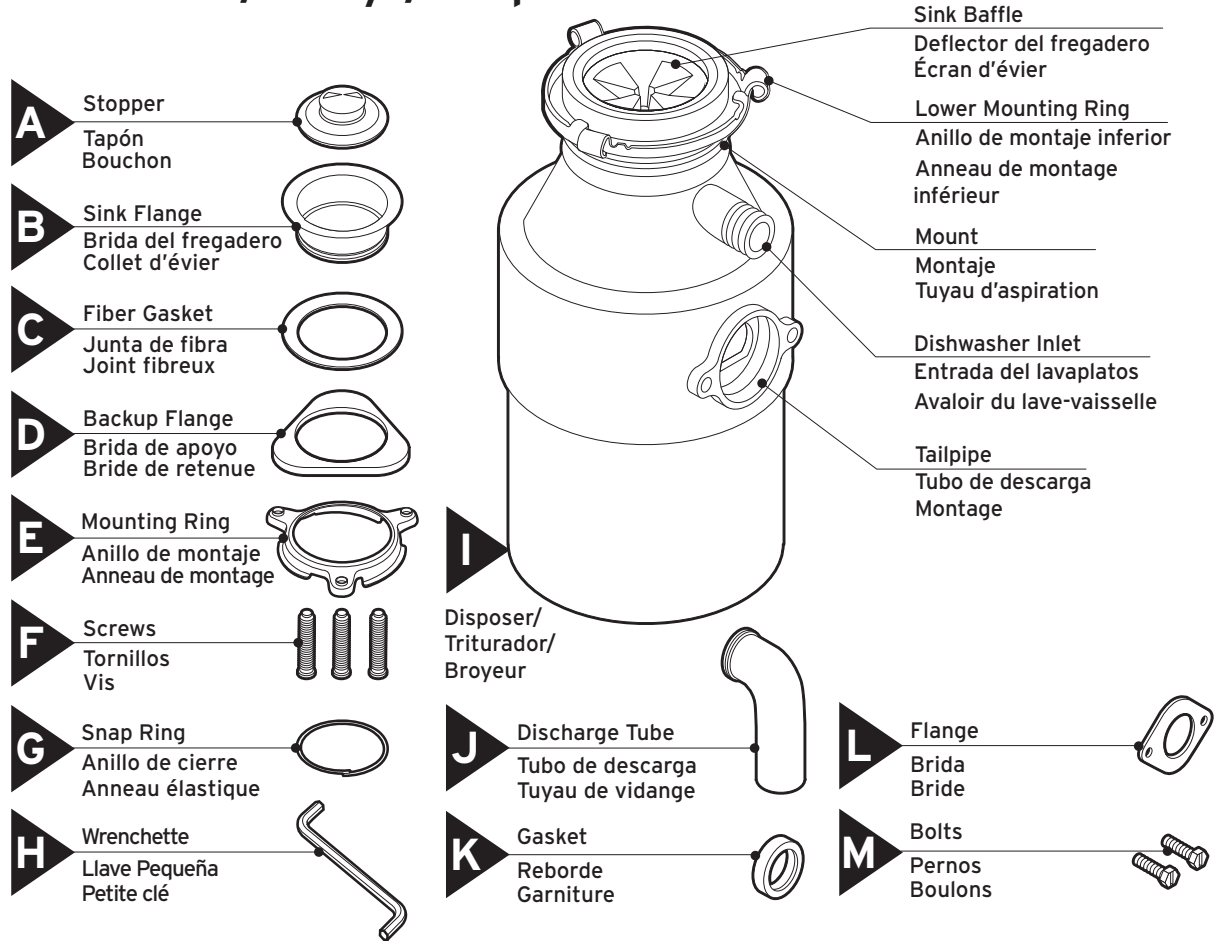
 Lea todas las advertencias antes de continuar.

 Lire tous les avertissements avant de procéder.




Dimensions/Dimensiones/Dimensions

Includes/Incluye/Comprend



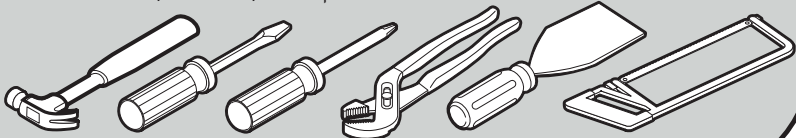
Tools and Materials/Herramientas y materiales/Outils et pièces

Not Included/No incluidos/Non compris


Cable Connector
Conector para cable
Connecteur de câble


Wire Nuts
Tuercas para cables
Serre-fils


Plumbers putty
Masilla de plomería
Mastic de plomberie



Removal of old disposer/Extracción del triturador viejo/Retrait du broyeur usagé

1

If you are replacing an existing disposer, continue to Step 2. If there is no existing disposer, disconnect sink drain and skip to Step 9.

Si tiene que reemplazar un triturador existente, continúe con el Paso 2. Si no existe un triturador, desconecte el desagüe del fregadero y continúe con el Paso 9.

En cas de remplacement d'un broyeur existant, pas-ser à l'étape 2. Dans le cas contraire, déconnecter le drain de l'évier et passer à l'étape 9.

⚠ WARNING

SHOCK HAZARD

Turn off electric power at fuse box or circuit breaker.

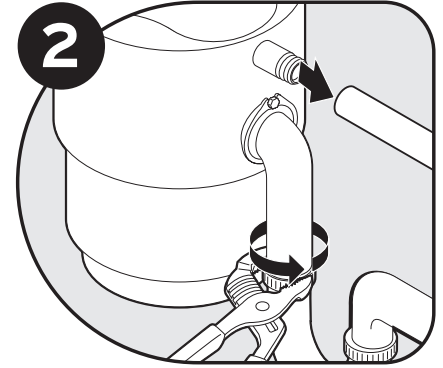
PELIGRO DE DESCARGA ELÉCTRICA

Desconecte el suministro eléctrico desde la caja de fusibles o el interruptor de circuito.

DANGER D'ÉLECTROCUTION

Couper l'alimentation électrique au boîtier de fusibles ou de disjoncteurs.

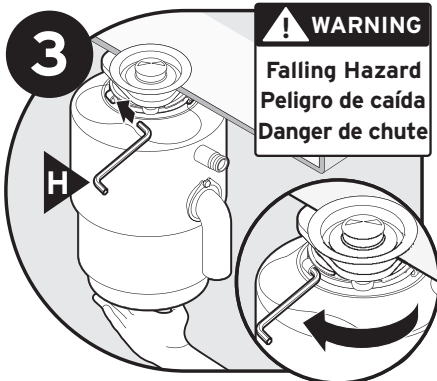
2



Disconnect electrical power at fuse box or circuit breaker box. Disconnect drain trap from waste discharge tube. Disconnect dishwasher if connected to the disposer./ Desconecte el suministro de energía en la caja de fusibles o de cortacircuitos. Desconecte la trampa de desagüe del tubo de descarga de desperdicios. Desconecte el lavaplatos si está conectado al triturador./ Déconnecter la source de courant électrique au niveau du disjoncteur ou des fusibles. Déconnecter le robinet de vidange du tube de vidange. Déconnecter le lave-vaisselle s'il est connecté au broyeur.

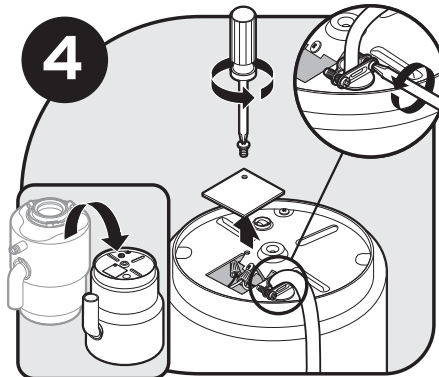
3

⚠ WARNING
Falling Hazard
Peligro de caída
Danger de chute



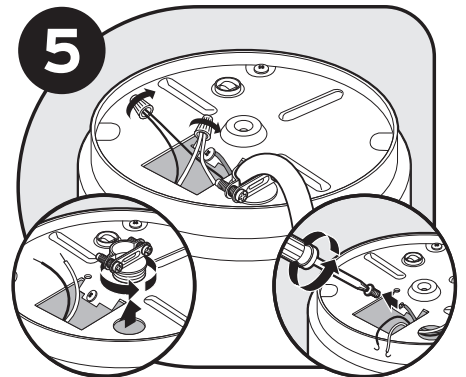
Support disposer, insert end of wrenchette (H) into right side of mounting lug, and turn. Disposer will fall free./Sostenga el triturador, inserte el extremo de la llave (H) en el lado derecho de la aleta de montaje y gírela. El triturador se liberará./Soutenir le broyeur, insérer l'extrémité de la petite clé (H) dans le côté droit de la patte de fixation et tourner. Le broyeur chutera librement en place.

4



Flip disposer over and remove electrical cover plate. Save cable connector if applicable./Dé vuelta el triturador y retire la placa de protección eléctrica. Guarde el conector del cable si corresponde./ Renverser le broyeur et retirer la plaque électrique. Conserver le connecteur de câble s'il y a lieu.

5



Disconnect the disposer wires from the electrical supply./Desconecte del suministro eléctrico los cables del triturador./Débrancher les fils du broyeur de l'alimentation électrique.

Is the new disposer mounting the same as the old one?

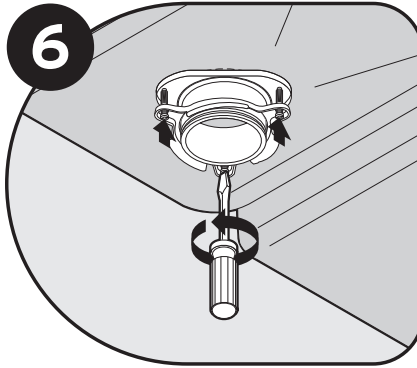
If YES, skip to step 15.
If NO, continue to Step 6.

¿El montaje del triturador nuevo es el mismo que el del viejo?

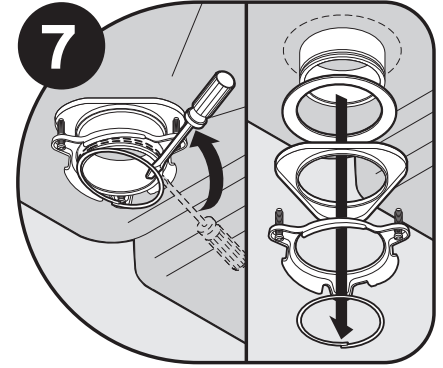
Si la respuesta es SÍ, continúe en el paso 15.
Si la respuesta es NO, continúe en el paso 6.

Est-ce que le montage du nouveau broyeur est le même que celui de l'ancien?

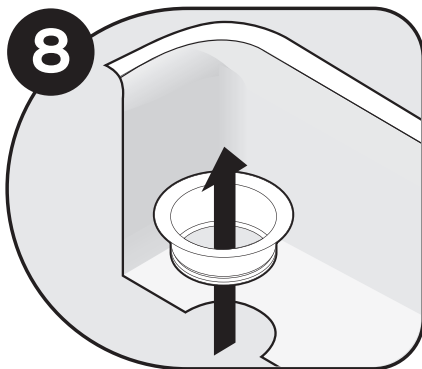
Si OUI, passer à l'étape 15.
Si NON, passer à l'étape 6.



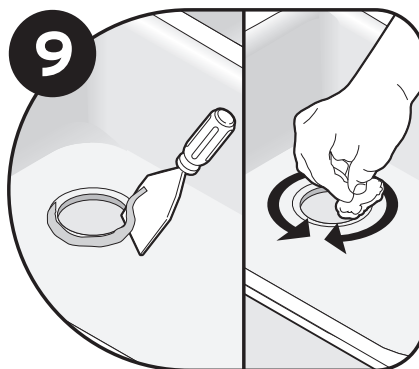
Using a flathead screwdriver, loosen the 3 screws on the mounting assembly./Con un destornillador de punta plana, afloje los 3 tornillos del conjunto de montaje./ Au moyen d'un tournevis à tête plate, desserrer les trois vis du montage de base.



Using a flathead screwdriver, pry off the snap ring./Con un destornillador de punta plana, saque el anillo de cierre./Au moyen d'un tournevis à tête plate, retirer l'anneau élastique.

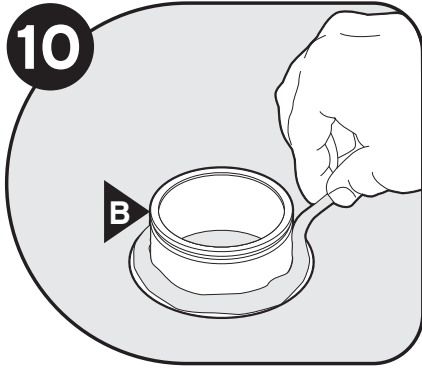


Remove flange from sink./Retire la brida del fregadero./Retirer le collet de l'évier.

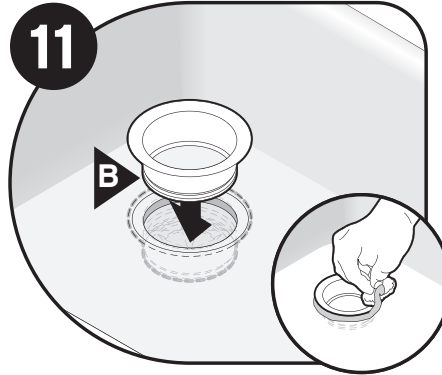


Remove old plumber's putty from sink with putty knife./Retire la masilla de plomería vieja del fregadero con una espátula para masilla./Enlever le mastic de plomberie usagé au moyen d'un couteau à mastic.

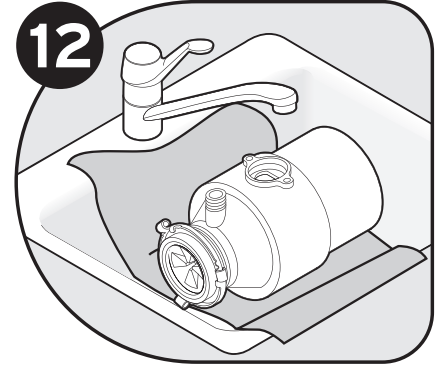
Installation/Instalación/Installation



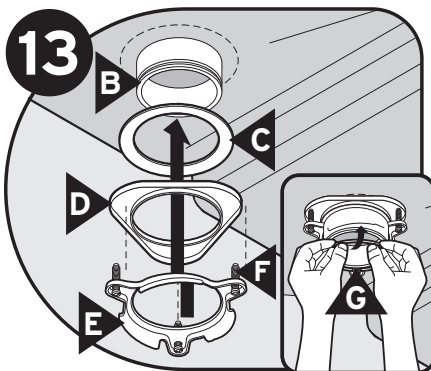
Evenly apply 1/2" thick rope of plumber's putty around sink flange (B)./Aplique una tira gruesa de masilla de plomería, de 1/2" (1,3 cm), en forma uniforme alrededor de la brida (B)./Applique uniformément un cordon de mastic de plomberie de 1/2" (1,3 cm) d'épaisseur autour du collet (B).



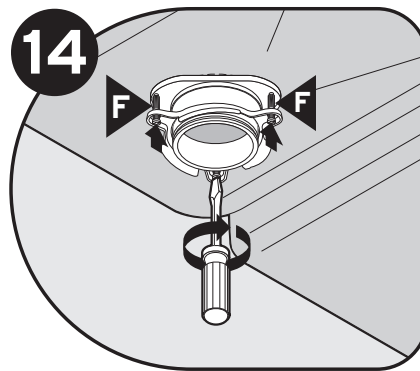
Press sink flange (B) firmly into sink drain. Remove excess putty./Presione la brida (B) firmemente en el desagüe del fregadero. Retire la masilla sobrante./Enfoncer le collet (B) fermement dans le drain de l'évier. Enlever l'excès de mastic.



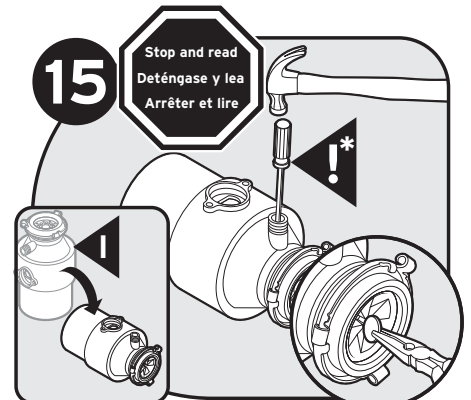
Place a weight, such as the disposer, on the sink flange to hold it in place. Use a towel to avoid scratching sink./Coloque un peso, por ejemplo el triturador, sobre la brida del fregadero para mantenerla en su lugar. Utilice una toalla para evitar que se raye el fregadero./Placer un poids tel que le broyeur sur le collet de l'évier pour le maintenir en place. Utiliser une serviette pour éviter d'égratigner l'évier.



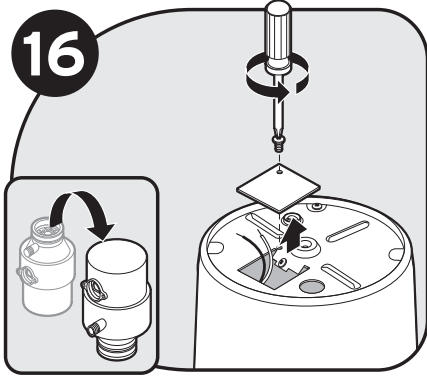
Insert fiber gasket (C), backup flange (D) and mounting ring (E). Hold in place while inserting snap ring (G). Pull snap ring (G) open and press firmly until it snaps into place./Inserte la junta de fibra (C), la brida de soporte (D) y el anillo de montaje (E). Sosténgalos en su lugar mientras inserta el anillo de cierre (G). Abra el anillo de cierre (G) y presione firmemente hasta que se coloque en el lugar./Insérer le joint fibreux (C), la bride de retenue (D) et l'anneau de montage (E). Tenir le tout en place pendant l'insertion du l'anneau élastique (G). Ouvrir l'anneau élastique (G) et appuyer fermement jusqu'à ce qu'il s'enclenche.



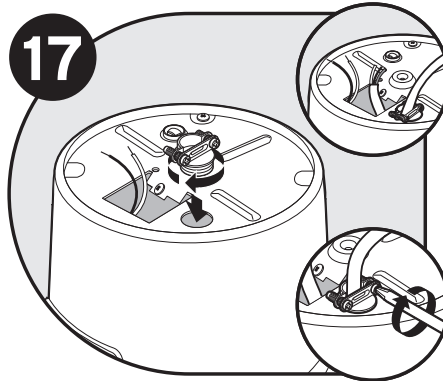
Tighten 3 mounting screws (F) evenly and firmly against backup flange./Ajuste los 3 tornillos de montaje (F) en forma uniforme y firme contra la brida de soporte./Serrer les trois vis de montage (F) uniformément et fermement contre la bride de retenue.



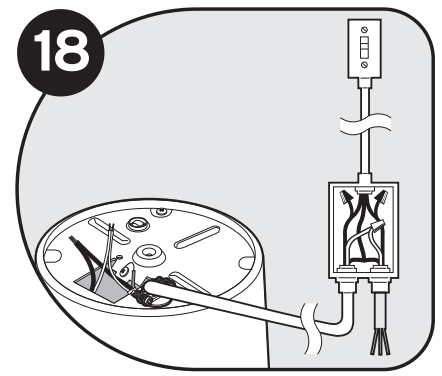
***CAUTION: DISHWASHER CONNECTION ONLY** If you do not need to attach the dishwasher, go to step 16. Turn disposer (I) onto side and insert screwdriver into dishwasher inlet. ***PRECAUCIÓN: SÓLO PARA CONEXIÓN DEL LAVAVAJILLAS.** Si no es necesario conectar el lavavajillas, pase al Paso 16. Voltee el triturador (I) sobre un lado e introduzca el destornillador en la entrada del lavavajillas. ***MISE EN GARDE : CONNECTION DU LAVE-VAISSELLE UNIQUEMENT.** S'il n'est pas nécessaire de connecter le lave-vaisselle, passer à l'étape 16. Mettre le broyeur (I) sur le flanc puis insérer un tournevis dans l'avaloir du lave-vaisselle.



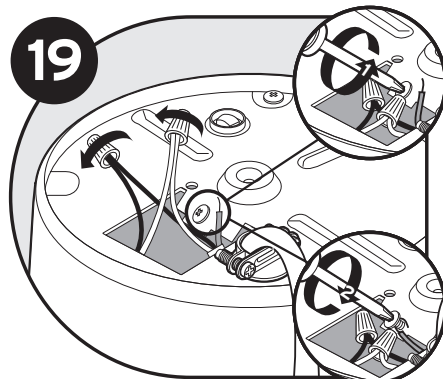
Turn disposer over and remove electrical cover plate. Pull out wires. **IMPORTANT:** Do not remove cardboard shield./Dé vuelta el triturador y retire la placa protectora eléctrica. Saque los cables. **IMPORTANTE:** No retire la protección de cartón./ Renverser le broyeur et enlever la plaque électrique. Extraire les fils électriques. **IMPORTANT:** Ne pas enlever l'écran de carton.



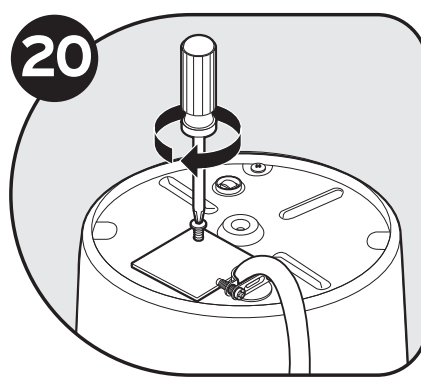
Insert cable connector (not included) and run electrical cable through access hole on bottom of disposer. Tighten cable connector./Introduzca el conector del cable (no incluido) y pase el cable eléctrico a través del orificio de acceso en la parte inferior del triturador. Ajuste el conector del cable./Insérer le connecteur de câble (non compris) et faire passer le câble électrique par le trou d'accès qui se trouve au fond du broyeur. Serrer le connecteur de câble.



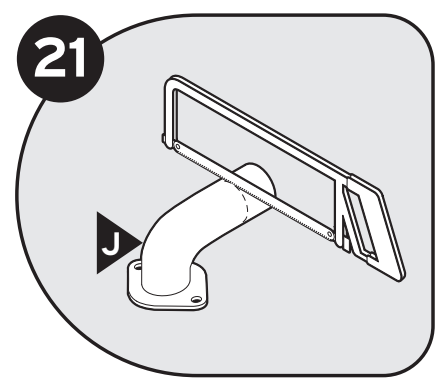
This disposer requires a switch with a marked "Off" position (wired to disconnect all ungrounded supply conductors) installed within sight of the disposer sink opening (1 hp minimum rating)./Este triturador requiere un interruptor que tenga la posición "Off" marcada (cableado de modo de desconectar todos los conductores de suministro no conectados a tierra) e instalado no muy lejos de la abertura del fregadero para el triturador (capacidad mínima de 1 hp)./Ce broyeur doit être équipé d'un interrupteur sur lequel la position d'arrêt (Off) est indiquée (pour débrancher tous les conducteurs d'alimentation non mis à la terre) et installé à la vue du trou d'évier du broyeur (puissance minimale de 1 HP).



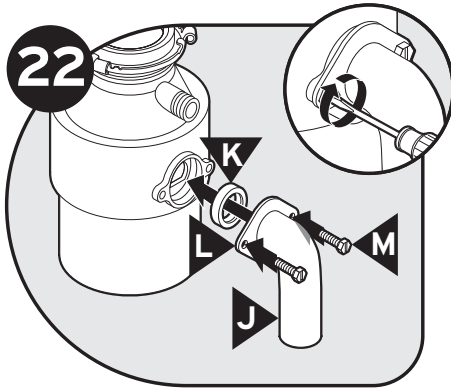
Connect ground wire to green ground screw in disposer wiring box. Connect white wire from disposer to white (neutral) supply wire. Connect black wire from disposer to black (hot) supply wire with wire nuts (not included)./Conecte el cable de conexión tierra al tornillo verde de conexión a tierra en la caja de cableado del triturador. Conecte el cable blanco del triturador al cable blanco (neutro) de suministro. Conecte el cable negro del triturador al cable negro (vivo) de suministro, usando las tuercas para cable (no incluidas)./Brancher le fil de terre à la vis verte de mise à la terre dans la boîte de câblage du broyeur. Relier le fil blanc du broyeur au fil blanc (neutre) d'alimentation. Relier le fil noir du broyeur au fil noir (chargé) d'alimentation au moyen de coinces à câble (non compris).



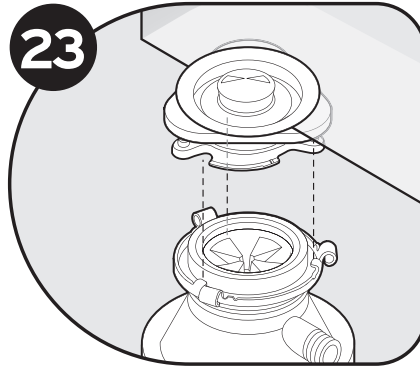
Push wires into disposer (do not displace cardboard shield) and replace electrical cover plate./Coloque los cables dentro del triturador (no desplace la protección de cartón) y vuelva a colocar la placa protectora eléctrica./Pousser les fils dans le broyeur (ne pas déplacer l'écran de carton) et replacer la plaque électrique.



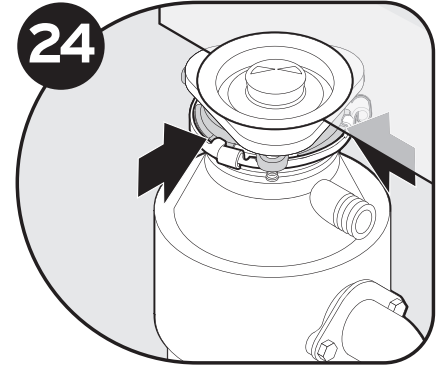
You may need to trim discharge tube (J) to ensure proper fit./Es posible que deba recortar el tubo de descarga (J) para asegurarse de que quede bien colocado./Vous devrez peut-être ajuster le tuyau de vidange (J) pour qu'il s'adapte correctement.



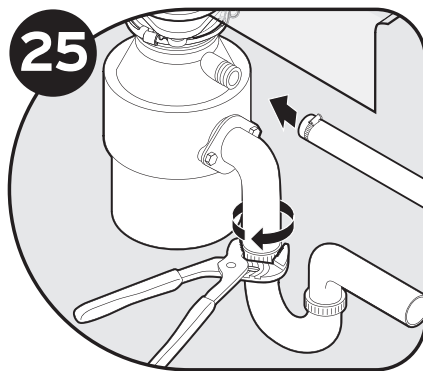
Slide flange (L) over discharge tube (J). Insert gasket (K) into discharge outlet. Secure flange and discharge tube to disposer with two bolts (M). Although the supplied discharge tube is preferred, a straight discharge tube may be used./
 Deslice la brida (L) sobre el tubo de descarga (J). Introduzca la junta (K) en la salida de descarga. Fije con dos pernos (M) la brida y el tubo de descarga al triturador. Aunque se recomienda utilizar el tubo de descarga incluido con la unidad, puede usar un tubo de descarga recto./
 Glisser le collet (L) sur le tuyau de vidange (J). Insérer le joint (K) dans l'orifice d'évacuation. À l'aide des deux boulons (M), fixer le collet et le tuyau de vidange au broyeur. Même s'il est préférable d'utiliser le tuyau de vidange fourni, un tuyau de vidange droit peut être utilisé.



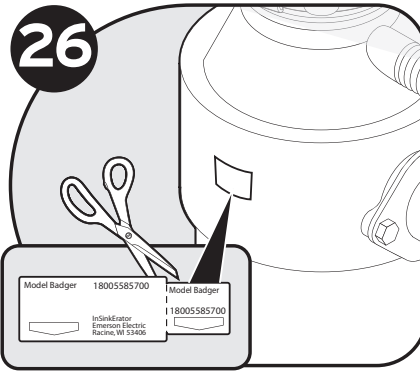
Hang disposer by aligning 3 mounting tabs with slide-up ramps on mounting ring./
 Sostenga el triturador y alinee las 3 lengüetas de montaje con las rampas deslizables sobre el anillo de montaje./
 Accrocher le broyeur en alignant les 3 onglets de montage avec les glissières de l'anneau de montage.



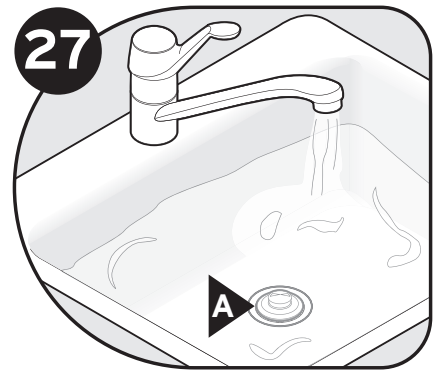
Turn mounting ring until all 3 mounting tabs lock over the ridges on the slide-up ramps./
 Gire el anillo de montaje hasta que las 3 lengüetas de montaje se cierren sobre los bordes de las rampas deslizables./
 Faire tourner l'anneau de montage jusqu'à ce que les 3 onglets se bloquent par-dessus les nervures des glissières.



Rotate disposer so that discharge tube is aligned with drain trap. Reconnect plumbing (and dishwasher connection if used). Make sure discharge tube mount is straight./
 Gire el triturador de manera tal que el tubo de descarga quede alineado con el sifón de drenaje. Vuelva a conectar la plomería (y la conexión del lavavajillas, si es que lo utiliza). Asegúrese de que el tubo de descarga esté derecho./
 Faites pivoter le broyeur de sorte que le tuyau d'évacuation soit aligné avec le siphon. Rebrancher les éléments de plomberie (et le branchement du lave-vaisselle le cas échéant). S'assurer que le montage du tuyau de vidange est droit.



Detach removable portion of spec label and place on a visible location./
 Corte la parte desmontable de la etiqueta de especificaciones y colóquela en un lugar visible./
 Détacher la partie détachable de l'étiquette de spécifications et la placer dans un endroit bien visible.



Insert stopper (A) into sink opening. Fill sink with water, then test for leaks./
 Introduzca el tapón (A) en la abertura del fregadero. Llene el fregadero con agua y luego verifique que no haya fugas./
 Remettre le bouchon (A) dans l'ouverture de l'évier. Remplir l'évier d'eau pour vérifier qu'il ne fuit pas.

Reconnect electrical power at fuse box or circuit breaker box.

Vuelva a conectar el suministro eléctrico desde la caja de fusibles o el disyuntor.

Rétablir l'alimentation électrique au boîtier de fusibles ou de disjoncteurs.

ENGLISH

INSTRUCTIONS PERTAINING TO RISK OF FIRE, ELECTRIC SHOCK, OR INJURY TO PERSONS (SAVE THESE INSTRUCTIONS)

⚠ WARNING When using electric appliances, basic precautions are always to be followed, including:

- Read all instructions before using the appliance.
- To reduce the risk of injury, close supervision is required when an appliance is used near children.
- Do not put fingers or hands into a waste disposer.
- Turn the power switch to the off position before attempting to clear a jam, removing an object from the disposer or pressing reset button.
- When attempting to loosen a jam in a waste disposer, use the self-service wrenchette.
- When attempting to remove objects from a waste disposer, use long-handled tongs or pliers.
- Do not put the following into a disposer: clam or oyster shells, caustic drain cleaners or similar products, glass, china, or plastic, large (whole) bones, metal (such as bottle caps, steel shot, tin cans, or utensils), hot grease or other hot liquids.
- When not operating a disposer, leave the stopper in place to reduce the risk of objects falling into the disposer.
- This product is designed to dispose of normal household food waste; inserting materials other than food waste into disposer could cause personal injury and/or property damage.
- To reduce the risk of injury, do not use the sink containing the disposer for purposes other than food preparation (such as baby bathing or washing hair).
- Do not dispose of the following in the disposer: paints, solvents, household cleaners and chemicals, automotive fluids, plastic wrap.
- FIRE HAZARD: Do not store flammable items such as rags, paper or aerosol cans near disposer. Do not store or use gasoline or other flammable vapors and liquids in vicinity of disposer.

⚠ WARNING

Personal Injury: Do not position your head or body under disposer; unit could fall during removal or installation.

⚠ CAUTION

Do not use plumber's putty on any other disposer connection other than sink flange. Do not use thread sealants or pipe dope. These may harm disposer and cause property damage.

⚠ WARNING

Electric Shock

Improper connection of the equipment-grounding conductor can result in a risk of electric shock. Check with a qualified electrician or serviceman if you are in doubt as to whether the appliance is properly grounded. Do not modify the plug provided with the appliance - if it will not fit the outlet, have a proper outlet installed by a qualified electrician.

- This disposer must be properly grounded.
- Do not attach ground wire to gas supply pipe.
- Disconnect power before installing or servicing disposer.
- If three-prong grounded plug is used, plug must be inserted into three-hole grounded receptacle.
- All wiring must comply with local electrical codes.
- Do not reconnect electrical current at main service panel until proper grounds are installed.

OPERATING INSTRUCTIONS

1. Remove stopper from sink opening and run strong flow of cold water.
2. Turn on wall switch to start disposer.
3. Slowly insert food waste into disposer. **CAUTION!** Position stopper to minimize possible ejection of material while grinding.
4. After grinding is complete, turn disposer off and run water for a few seconds to flush drain line.

DO...

- First turn on a moderate to strong flow of cold water and then turn on the disposer. Continue running cold water for a few seconds after grinding is completed to flush the drain line.
- Grind hard materials such as small bones, fruit pits, and ice. A scouring action is created by the particles inside the grind chamber.
- Grind peelings from citrus fruits to freshen up drain smells.
- Use a disposer cleaner, degreaser, or deodorizer as necessary to relieve objectionable odors caused by grease build-up.

DON'T...

- Don't pour grease or fat down your disposer or any drain. It can build up in pipes and cause drain blockages. Put grease in a jar or can and dispose in the trash.
- Don't use hot water when grinding food waste. It is OK to drain hot water into the disposer between grinding periods.
- Don't fill disposer with a lot of vegetable peels all at once. Instead, turn the water and disposer on first and then feed the peels in gradually.
- Don't grind large amounts of egg shells or fibrous materials like corn husks, artichokes, etc., to avoid possible drain blockage.
- Don't turn off disposer until grinding is completed and only sound of motor and water is heard.

⚠ CAUTION

Regularly inspect disposer and plumbing fittings for water leaks, as water leaks can cause property damage. Manufacturer cannot be held responsible for property damage as a result of water leaks.

USER-MAINTENANCE INSTRUCTIONS

CLEANING DISPOSER

Over time, food particles may accumulate in the grind chamber and baffle. An odor from the disposer is usually a sign of grease and food buildup, caused by insufficient water flow during and after disposer use. To clean disposer:

1. Turn off disposer and disconnect power supply.
2. Place stopper in sink opening and fill sink halfway with warm water.
3. Mix 1/4 cup baking soda with water. Turn disposer on and remove stopper from sink at same time to wash away loose particles.

Disposers may also be cleaned with Disposer Care®. This product is not sold by InSinkErator®, but is generally available in major home centers, hardware, and grocery stores. For more information on Disposer Care®, contact Summit Brands at 1-888-476-6688 or www.summitbrands.com.

RELEASING DISPOSER JAM

If motor stops while disposer is operating, disposer may be jammed. To release jam:

1. Turn off disposer and water.
2. Insert one end of self-service wrenchette into center hole on bottom of disposer (see Figure A). Work wrenchette back and forth until it turns one full revolution. Remove wrenchette.
3. Reach into disposer with tongs and remove object(s). Allow disposer motor to cool for 3 - 5 minutes, then lightly push red reset button on disposer bottom (see Figure B). (If motor remains inoperative, check service panel for tripped circuit breakers or blown fuses.)

Figure A

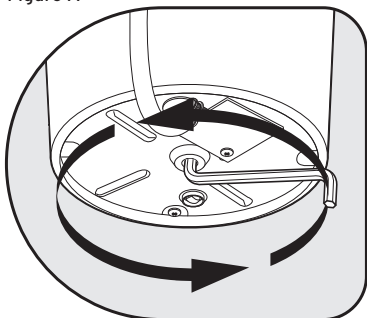
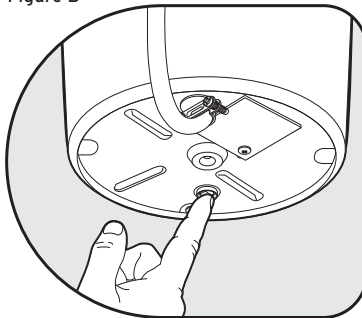


Figure B



3 YEAR IN-HOME FULL SERVICE WARRANTY - BADGER 5XP®, BADGER® 9, & BADGER® 10S 2 YEAR IN-HOME FULL SERVICE WARRANTY - BADGER® 5 1 YEAR IN-HOME FULL SERVICE WARRANTY - BADGER® 1

This warranty covers all replacement parts and repair labor to correct defects in disposer material and workmanship for the full warranty period from the date of installation in your home. If warranty service is required during the warranty period, contact an authorized InSinkErator® service center to replace or repair the unit in your home at no cost to you. If you have questions concerning your disposer or determining when service is needed, please call the toll free InSinkErator® AnswerLine® to obtain the name of the authorized service center nearest you. The toll free number is 1 (800) 558-5700, or visit our website at www.insinkerator.com.

This warranty gives you specific legal rights and you may also have other rights which vary from state to state. If the manufacturer determines the unit should be replaced rather than repaired, the warranty on the replacement unit will be limited to the unexpired term of the original warranty. No other express warranty, written or oral, applies.

If your disposer does not operate, follow these steps in order:

1. Check the things you can do yourself. Be sure the disposer is connected to the electric power and the fuses or circuit breakers are in working order. Reread the instruction book to ensure that you are operating the disposer correctly.
2. Call InSinkErator®, or visit our website for information or for the location of the authorized service center nearest you. The toll free number is 1 (800) 558-5700, or visit our website at www.insinkerator.com.

3. Write to us if a satisfactory solution is not reached in steps 1 and 2. Our address is:

InSinkErator®
Service Department
4700 21st Street
Racine, Wisconsin 53406 USA

When writing or calling, supply the following information: date, your name, your address, and your phone number. Describe the product by model number, serial number, date purchased, place purchased, and service history (including name and address of service agent). Clearly describe the problem and service required.

NOTE: Warranty is determined by unit serial number and date of installation. Purchase or installation receipt may be required to verify warranty status.

The foregoing warranty does not apply to damage or inoperation resulting from accident, alteration, misuse, abuse, improper installation, installation not in accordance with these instructions or local electrical and plumbing codes. Warranty will be voided if installed in a commercial or industrial application.



Food waste disposers are an environmentally responsible alternative to transporting food waste to landfills. And they can help reduce greenhouse gas emissions. Food waste converts to bio-solids at the waste treatment plant and can be recycled and applied as fertilizer. Biogases can be captured and recycled as an energy source.

InSinkErator® may make improvements and/or changes in the specifications at any time, in its sole discretion, without notice or obligation and further reserves the right to change or discontinue models.

The mounting collar configuration is a trademark of Emerson Electric Co.

Badger® 1, 5, 5XP®, 9, 10s

EMERSON
Appliance Solutions

The Emerson logo is a trademark and service mark of Emerson Electric Co.
Printed in the U.S.A. © 2008 InSinkErator, InSinkErator® is a division of Emerson Electric Co.
All Rights Reserved.

ESPAÑOL

INSTRUCCIONES CORRESPONDIENTES A RIESGO DE INCENDIO, DESCARGAS ELÉCTRICAS O LESIONES A PERSONAS (GUARDE ESTAS INSTRUCCIONES)



ADVERTENCIA

Al usar artefactos electrodomésticos, siempre se deben tomar precauciones básicas, las que incluyen:

- Lea todas las instrucciones antes de utilizar el aparato.
- Para reducir el riesgo de lesiones, se requiere estrecha supervisión cuando se usa un artefacto cerca de niños.
- No ponga los dedos ni las manos dentro de un triturador de desperdicios.
- Coloque el interruptor de encendido en la posición de apagado antes de tratar de eliminar un atasco, retirar un objeto del triturador de desperdicios o presionar el botón de reposición.
- Para eliminar obstrucciones de un triturador de desperdicios, utilice la llave para autoservicio.
- Al tratar de extraer objetos de un triturador de desperdicios use tenazas o pinzas de mango largo.
- No coloque los siguientes elementos dentro de un triturador: conchas de almejas u ostras, limpiadores de drenaje cáusticos o productos similares, vidrio, loza o plástico, huesos (enteros) grandes, metales (como tapas de botellas, granalla de acero, latas o utensilios), grasa caliente u otros líquidos calientes.
- Cuando el triturador no esté en funcionamiento, deje la tapón del drenaje en su lugar para reducir el riesgo de que algún objeto caiga en el triturador.
- Este producto está diseñado para deshacerse de desperdicios normales de los alimentos hogareños; insertar materiales que no son desperdicios en el triturador podría ocasionar lesiones personales o daños a la propiedad.
- Para reducir el riesgo de lesiones, no utilice el fregadero o pileta que contiene el triturador para tareas que no sean de preparación de los alimentos (como bañar a un bebé o lavarse el cabello).
- No elimine ninguno de los siguientes elementos en el triturador: pinturas, solventes, limpiadores de uso doméstico, productos químicos, líquidos para automóviles o envolturas de plástico.
- PELIGRO DE INCENDIO: No guarde artículos inflamables, como trapos, papel o aerosoles, cerca del triturador. No guarde ni utilice gasolina ni otros vapores o líquidos inflamables cerca del triturador.



ADVERTENCIA

Lesiones personales: No coloque la cabeza ni el cuerpo debajo del triturador, ya que la unidad podría caerse mientras lo retira o instala.



PRECAUCION

No utilice masilla de plomería ni ninguna otra conexión del triturador que no sea la brida del fregadero. No utilice sellador de rosca ni grasa para rosca de cañerías. Estos productos pueden dañar el triturador y ocasionar daños a la propiedad.



ADVERTENCIA

Descarga eléctrica

La conexión incorrecta del conductor de conexión a tierra del equipo puede representar un riesgo de descarga eléctrica. Consulte a un electricista calificado o especialista en reparaciones si tiene dudas sobre la conexión a tierra del aparato. No cambie el enchufe que viene con el aparato. Si no coincide con el tipo de tomacorriente, pídale a un electricista calificado que instale un tomacorriente adecuado.

- El triturador debe tener una adecuada conexión a tierra.
- No conecte el cable de conexión a tierra en un tubo de suministro de gas.
- Desconecte la corriente eléctrica antes de instalar o reparar el triturador.
- Si se utiliza un enchufe de tres patas con conexión a tierra, el enchufe debe introducirse en un receptáculo de tres orificios con conexión a tierra.
- Todo el cableado debe cumplir con los códigos eléctricos locales.
- No reconecte la corriente eléctrica al panel de servicio principal sino hasta que se instalen las conexiones a tierra adecuadas.

INSTRUCCIONES DE OPERACION

1. Retire el tapón de la apertura del fregadero y haga correr un flujo fuerte de agua fría.
2. Encienda el interruptor de pared para arrancar el triturador.
3. Introduzca lentamente los desperdicios de comida dentro del triturador. ¡PRECAUCIÓN! Coloque el tapón para disminuir la posibilidad de que los materiales salgan despedidos durante la trituración.
4. Luego de que la trituración esté completa, apague el triturador y deje correr el agua durante unos segundos para enjuagar la línea de drenaje.

LO QUE DEBE HACER

- Primero haga correr un flujo de agua fría, de moderado a copioso, y luego encienda el triturador. Siga haciendo correr el agua durante unos segundos después de que termine la trituración para enjuagar la línea de drenaje.
- Triture materiales duros como huesos pequeños, carozos de frutas y hielo. Las partículas crean una acción de restregado en el interior de la cámara de trituración.
- Triture cáscaras de frutas cítricas para refrescar el olor del drenaje.
- Utilice un limpiador, desengrasante o desodorante para trituradores cuando sea necesario a fin de eliminar malos olores causados por la acumulación de grasa.



PRECAUCION

Revise periódicamente el triturador y los acoples de plomería para ver si hay fugas de agua, ya que éstas pueden ocasionar daños a la propiedad. El fabricante no es responsable de los daños a la propiedad resultantes de las fugas de agua.

LO QUE NO DEBE HACER

- No vierta grasa ni aceite en el triturador ni en ningún drenaje. Estos materiales se pueden acumular en las cañerías y tapan el drenaje. Coloque la grasa en un frasco o lata y deséchelo en la basura.
- No use agua caliente para triturar desperdicios de comidas. Puede dejar correr agua caliente en el triturador entre períodos de trituración.
- No llene el triturador con demasiadas cáscaras de vegetales al mismo tiempo. Primero abra la llave del agua y encienda el triturador y luego coloque las cáscaras gradualmente.
- No triture grandes cantidades de cáscaras de huevo ni materiales fibrosos como barbas del choclo, alcachofas, etc., pues ello podría obstruir el drenaje.
- No apague el triturador hasta que la trituración esté completa y sólo se escuche el sonido del motor y del agua.

INSTRUCCIONES DE MANTENIMIENTO PARA EL USUARIO

LIMPIEZA DEL TRITURADOR

Con el tiempo, las partículas de comida se pueden acumular en la cámara de trituración y el deflector. Los malos olores provenientes del triturador son generalmente un signo de acumulación de grasa y comida causada por el flujo de agua insuficiente durante y después del uso del triturador. Para limpiar el triturador:

1. Apague el triturador y desconecte la corriente eléctrica.
2. Coloque el tapón en la abertura del fregadero y llénelo con agua tibia hasta la mitad.
3. Mezcle 1/4 de taza de bicarbonato de sodio con agua. Encienda el triturador y retire el tapón del fregadero al mismo tiempo para eliminar las partículas sueltas.

Los trituradores también se pueden limpiar con Disposer Care®. InSinkErator® no vende este producto, pero generalmente se lo consigue en las principales tiendas de artículos para el hogar, en ferreterías y en tiendas de abarrotes. Si desea obtener más información sobre Disposer Care®, comuníquese con Summit Brands al 1-888-476-6688 o visite www.summitbrands.com.

CÓMO LIBERAR LAS OBSTRUCCIONES DEL TRITURADOR

Si el motor se detiene durante el funcionamiento del triturador, podría estar bloqueado. Para liberar las obstrucciones:

1. Apague el triturador y cierre la llave de agua.
2. Introduzca un extremo de la llave pequeña de autoservicio dentro del orificio central, ubicado en la parte inferior del triturador (ver Figura A). Mueva la llave hacia delante y hacia atrás hasta que gire una vuelta completa. Retire la llave.
3. Introduzca unas tenazas dentro del triturador y retire el objeto u objetos. Deje enfriar el motor durante 3 a 5 minutos y luego oprima suavemente el botón de reposición rojo ubicado en la parte inferior del triturador (ver Figura B). (Si el motor no funciona, revise el panel de servicio para ver si hay interruptores de circuito activados o fusibles quemados.)

Figura A

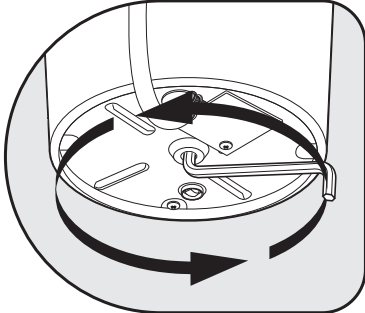
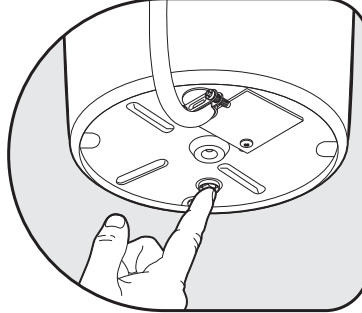


Figura B



GARANTÍA TOTAL DE SERVICIO POR 3 AÑOS EN SU HOGAR - BADGER 5XP®, BADGER 9, & BADGER 10S GARANTÍA TOTAL DE SERVICIO POR 2 AÑOS EN SU HOGAR - BADGER 5 GARANTÍA TOTAL DE SERVICIO POR 1 AÑOS EN SU HOGAR - BADGER 1

Esta garantía cubre todas las piezas de repuesto y las tareas de reparación para / corregir los defectos en los materiales del triturador y la mano de obra durante el período total de la garantía desde la fecha de instalación en su hogar. Si se requiere el servicio de garantía durante el período de garantía, comuníquese con un centro de servicio autorizado de InSinkErator® para reemplazar o reparar la unidad en su hogar, sin costo alguno para usted. Si tiene preguntas con respecto al triturador o si desea saber cuándo se necesita servicio, llame a la línea de ayuda gratuita AnswerLine® de InSinkErator® para obtener el nombre del centro del servicio autorizado más cercano. Llame gratis al 1 (800) 558-5700, o bien visite nuestro sitio en Internet en www.insinkerator.com.

Esta garantía le otorga derechos legales específicos y también puede tener otros derechos que varían según el estado. Si el fabricante determina que se debe reemplazar la unidad en vez de repararla, la garantía de la unidad de reemplazo se limitará al plazo vigente de la garantía original. No se aplica ninguna otra garantía expresa, oral o escrita.

Si el triturador no funciona, siga estos pasos en orden:

1. Verifique las cosas que puede hacer usted mismo. Asegúrese de que el triturador esté conectado a la corriente eléctrica y de que los fusibles o interruptores de circuito funcionen correctamente. Vuelva a leer el manual de instrucciones para asegurarse de que está operando el triturador correctamente.
2. Llame a InSinkErator®, o visite nuestro sitio en Internet si desea obtener información o conocer la ubicación del centro de servicio autorizado más cercano. Llame gratis al 1 (800) 558-5700, o visite nuestro sitio en Internet en www.insinkerator.com.

3. Escribanos si no ha obtenido una solución satisfactoria en los pasos 1 y 2. Nuestra dirección es:

InSinkErator®
Service Department
4700 21st Street
Racine, Wisconsin 53406 USA

Cuando escriba o llame, proporcione la siguiente información: fecha, su nombre, su dirección y su número de teléfono. Describa el producto por el número de modelo, el número de serie, la fecha y el lugar de compra y el historial de servicio (incluya el nombre y la dirección del agente de servicio). Describa claramente el problema y el servicio requerido.

NOTA: La garantía está determinada por número de serie de la unidad y la fecha de instalación. Se puede requerir el recibo de compra o de instalación para verificar el estado de la garantía.

La garantía anterior no se aplica a daños o mal funcionamiento causado por accidentes, alteraciones, mal uso, abuso, instalación inadecuada, instalación que no respete estas instrucciones o los códigos de plomería y eléctricos locales. La garantía no tendrá validez si se usa para fines industriales o comerciales.



Los trituradores de desperdicios de comida son una alternativa que no daña el medio ambiente para el transporte de los desperdicios a los vertederos. Además, ayudan a reducir las emisiones de gases que generan el efecto invernadero. Los desperdicios de comida se convierten en sólidos biológicos en la detratamiento de desperdicios y pueden reciclarse y aplicarse como fertilizantes. Los biogases pueden capturarse y reciclarse como fuente de energía.

InSinkErator® podrá hacer mejores y/o cambios en las especificaciones en cualquier momento, a su discreción exclusiva, sin aviso ni obligación, y se reserve adicionalmente el derecho a cambiar o discontinuar los modelos.

La configuración del collarín de montaje es una marca registrada de Emerson Electric Co.

Badger® 1, 5, 5XP®, 9, 10s

EMERSON
Appliance Solutions

El logotipo de Emerson es una marca registrada y una marca de servicio de Emerson Electric Co. Impreso en los EE.UU. © 2008 InSinkErator, InSinkErator es una división de Emerson Electric Co. Todos los derechos reservados.

FRANÇAIS

INSTRUCTIONS RELATIVES AUX RISQUES D'INCENDIE, DE CHOC ÉLECTRIQUE OU DE BLESSURES (GARDER CES INSTRUCTIONS)



AVERTISSEMENT

Lors de l'utilisation d'appareil électriques, des précautions élémentaires doivent toujours être prises, y compris :

- Lire les instructions au complet avant d'utiliser l'appareil.
- Pour réduire les risques de blessure, surveiller étroitement les enfants lorsqu'ils se trouvent à proximité d'un appareil en marche.
- Ne pas mettre les doigts ou la main dans un broyeur de déchets.
- Mettre l'interrupteur à la position d'arrêt avant de tenter de libérer un objet coincé, d'enlever un objet du broyeur ou d'appuyer sur le bouton de réenclenchement.
- Pour tenter de dégager un objet coincé dans le broyeur de déchets, utiliser la petite clé d'entretien.
- Pour enlever des objets du broyeur de déchets, utiliser des clés ou des pinces à longs manches.
- Ne pas mettre les produits ou objets suivants dans le broyeur de déchets : coquilles de palourde ou d'huître, nettoyants caustiques pour drain ou produits similaires, verre, porcelaine ou plastique, gros os (complets), métal (tel que bouchons de bouteille, morceaux de métal, boîtes de conserve ou ustensiles), graisse chaude ou autres liquides chauds.
- Lorsque le broyeur n'est pas utilisé, laisser le bouchon en place pour éviter toute chute d'objet dans le broyeur.
- Ce produit a été conçu pour disposer des déchets de cuisine, le fait d'insérer autre chose que des déchets de cuisine dans le broyeur pourrait entraîner des blessures et/ou des dommages matériels.
- Afin de réduire les risques de blessure, ne pas utiliser un évier doté d'un broyeur de déchets à d'autres fins que la préparation d'aliments (par exemple, pour donner le bain à un bébé ou pour se laver les cheveux).
- Ne pas jeter les produits suivants dans le broyeur : peinture, solvants, produits chimiques et nettoyants ménagers, liquides automobiles, ellicule plastique.
- **RISQUES D'INCENDIE** : Ne pas ranger d'articles inflammables tels que des chiffons, du papier ou des aérosols à proximité du broyeur. Ne pas ranger ni utiliser de l'essence ou autres vapeurs et liquides inflammables à proximité du broyeur.



AVERTISSEMENT

Blessures : Ne pas placer la tête ou le corps sous le broyeur de déchets, l'unité pourrait tomber pendant le retrait ou l'installation.



MISE EN GARDE

Ne pas utiliser du mastic de plomberie sur aucune autre connection du broyeur que le collier d'évier. Ne pas utiliser de produit d'étanchéité pour filetage ni de pâte lubrifiante. Ces produits sont nuisibles au broyeur et peuvent causer des dommages.



AVERTISSEMENT

Choc électrique :

Un branchement inadéquat au conducteur de mise à la terre de l'appareil peut entraîner des risques de choc électrique. Vérifier avec un électricien ou un réparateur qualifié en cas de doute sur la mise à la terre adéquate de l'appareil. Ne pas modifier la fiche fournie avec l'appareil. Si la fiche ne s'adapte pas à la prise de courant, faire poser une prise adéquate par un électricien.

- Ce broyeur doit être correctement mis à la terre.
- Ne pas fixer de fil de mise à la terre au tuyau d'alimentation du gaz.
- Couper l'alimentation électrique avant d'installer ou de réparer le broyeur.
- Si une fiche de mise à la terre à trois branches est utilisée, celle-ci doit être insérée dans une prise de trois trous mise à la terre.
- Tout le câblage utilisé doit être conforme aux codes de l'électricité locaux en vigueur.
- Ne pas remettre le courant au panneau principal avant que des conducteurs de mise à la terre ne soient installés.

MODE D'EMPLOI

1. Enlever le bouchon de l'évier et faire couler l'eau froide à flot.
2. Allumer l'interrupteur au mur pour démarrer le broyeur.
3. Insérer lentement les déchets de cuisine dans le broyeur. **MISE EN GARDE!** Placer le bouchon de façon à minimiser l'éjection possible de déchets pendant le broyage.
4. Une fois le broyage terminé, éteindre le broyeur et faire couler l'eau dans la conduite du drain pendant quelques secondes pour la rincer.

UTILISATION ADÉQUATE

- Faire d'abord couler l'eau froide à flot modéré ou puissant puis allumer le broyeur. Continuer de faire couler l'eau froide pendant quelques secondes une fois le broyage terminé afin de rincer la conduite du drain.
- Broyer des objets durs tels que de petits os, des noyaux de fruits et de la glace. Une action de frottement est créée par les particules à l'intérieur de la chambre de broyage.
- Broyer des pelures d'agrumes afin de rafraîchir les odeurs que dégagent le drain.
- Au besoin, utiliser un nettoyant, un dégraissant ou un désodorisant pour éliminer les mauvaises odeurs causées par l'accumulation de graisse dans le broyeur.



MISE EN GARDE

Inspecter régulièrement le broyeur et les raccords de plomberie pour y détecter toute fuite d'eau. En effet, les fuites d'eau peuvent entraîner des dommages. Le fabricant ne peut être tenu responsable des dommages causés par des fuites d'eau.

UTILISATION INADÉQUATE

- Ne pas verser d'huile ou de graisse dans votre broyeur ou dans n'importe quel drain. La graisse pourrait s'accumuler dans les tuyaux et entraîner un blocage du drain. Verser la graisse dans un pot ou une boîte de conserve vide et la mettre au rebus.
- Ne pas utiliser d'eau chaude pendant le broyage des déchets de cuisine. Le fait de faire couler de l'eau chaude dans le broyeur entre les broyages ne nuit pas à l'appareil.
- Ne pas remplir le broyeur de pelures de légumes en une seule fois. Faire plutôt couler l'eau et allumer le broyeur, puis ajouter les pelures dans le broyeur graduellement.
- Ne pas procéder au broyage de grandes quantités de coquilles d'œuf ou de matières fibreuses telles que des enveloppes de maïs, des artichauts etc. afin d'éviter tout blocage du drain.
- Ne pas éteindre le broyeur avant d'avoir complètement broyé les déchets et d'entendre uniquement le bruit du moteur et de l'eau qui coule.

INSTRUCTIONS D'ENTRETIEN PAR L'UTILISATEUR

NETTOYAGE DU BROYEUR

À la longue, des particules d'aliments peuvent s'accumuler dans la chambre de broyage et l'écran. Une odeur nauséabonde provenant du broyeur est généralement le signe d'une accumulation de graisse et d'aliments causée par un écoulement insuffisant d'eau pendant et après l'utilisation du broyeur. Pour nettoyer le broyeur :

1. Éteindre le broyeur et couper l'alimentation électrique.
2. Poser le bouchon dans l'ouverture de l'évier et remplir ce dernier à moitié avec de l'eau tiède.
3. Verser 1/4 tasse de bicarbonate de soude dans l'eau. Allumer le broyeur et enlever le bouchon de l'évier simultanément afin d'évacuer les particules qui se sont détachées.

Les broyeurs peuvent également être nettoyés avec du Disposer Care®. Ce produit n'est pas vendu par InSinkErator® mais est généralement offert dans tous les grands centres de rénovation, quincailleries et magasins d'alimentation. Pour plus de renseignements au sujet du Disposer Care®, contacter Summit Brands au 1-888-476-6688 ou aller à www.summitbrands.com.

DÉBLOCAGE DU BROYEUR

Si le moteur s'arrête pendant que le broyeur fonctionne, il est possible que celui-ci soit bloqué. Pour débloquer le broyeur :

1. Éteindre le broyeur et cesser de faire couler l'eau.
2. Insérer une extrémité de la petite clé d'entretien dans le trou central au bas du broyeur (voir Figure A). Faire tourner la clé d'un tour complet. Retirer la petite clé.
3. Au moyen des pinces, dégager et enlever les débris qui bloquent le broyeur. Laisser le moteur du broyeur refroidir pendant 3 à 5 minutes puis enfoncer légèrement le bouton de réenclenchement rouge au bas du broyeur (voir Figure B). (Si le moteur ne fonctionne toujours pas, vérifier le pameau de service pour y rechercher des disjoncteurs déclenchés ou des fusibles grillés.)

Figure A

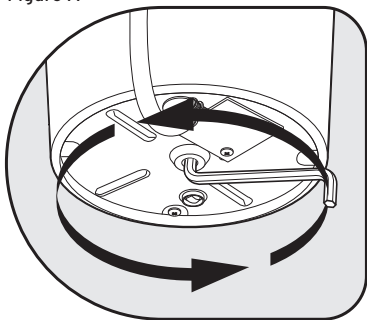
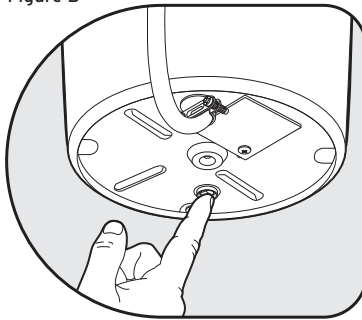


Figure B



GARANTIE DE SERVICE COMPLET À DOMICILE DE 3 ANS - BADGER 5XP®, BADGER® 9, & BADGER® 10S GARANTIE DE SERVICE COMPLET À DOMICILE DE 2 ANS - BADGER® 5 GARANTIE DE SERVICE COMPLET À DOMICILE DE 1 ANS - BADGER® 1

Cette garantie couvre tous les remplacements de pièce et la main-d'œuvre pour la correction de défauts de matériau ou de fabrication du broyeur pendant toute la période couverte par cette garantie à partir de la date d'installation à domicile. Si une réparation couverte par la garantie s'avère nécessaire pendant la période de garantie, contactez un centre de réparation autorisé InSinkErator® pour remplacer ou réparer l'unité à votre domicile, sans frais. Si vous avez des questions concernant votre broyeur ou si vous cherchez à déterminer à quel moment une réparation est nécessaire, veuillez composer le numéro sans frais de la ligne d'assistance InSinkErator® AnswerLine® pour obtenir le nom du centre de réparation le plus près de votre domicile. Composez le numéro sans frais 1 (800) 558-5700 ou consultez notre site Web à www.insinkerator.com.

Cette garantie vous donne des droits reconnus par la loi; d'autres droits peuvent également s'appliquer d'un État ou d'une province à l'autre. Dans le cas où le fabricant détermine que l'unité doit être remplacée plutôt que réparée, la garantie de remplacement de l'unité se limitera à la durée qui reste sur la période couverte par la garantie originale. Aucune autre garantie expresse, écrite ou verbale ne s'applique.

Si votre broyeur ne fonctionne pas, suivez ces étapes dans l'ordre :

1. Vérifiez les choses que vous pouvez faire vous-même. Assurez-vous que le broyeur est bien connecté à l'alimentation électrique et que les fusibles ou disjoncteurs fonctionnent correctement. Lisez une fois de plus le livret d'instructions pour vous assurer que vous faites fonctionner le broyeur correctement.
2. Composez le numéro de la ligne d'assistance InSinkErator® ou consultez notre site Web pour obtenir de l'information ou pour connaître l'emplacement du centre

de réparation le plus proche. Composez le numéro sans frais 1 (800) 558-5700 ou consultez notre site Web à www.insinkerator.com.

3. Veuillez nous écrire si une solution satisfaisante n'a pas été obtenue aux étapes 1 et 2. Notre adresse est la suivante :

InSinkErator®
Service Department
4700 21st Street
Racine, Wisconsin 53406 USA

Lorsque vous nous écrivez ou nous appelez, veuillez fournir les renseignements suivants : la date, vos nom, adresse et numéro de téléphone. Décrivez le produit par numéro de modèle, numéro de série, date d'achat, magasin où l'achat a été fait, historique des réparations (y compris le nom et l'adresse de l'agent de réparation). Décrivez en détails le problème et la réparation exigée.

NOTE : La garantie est déterminée par le numéro de série de l'unité et la date d'installation. La preuve d'achat ou d'installation peut être exigée pour vérifier le statut de la garantie.

La garantie qui précède ne s'applique pas aux dommages ni à une panne de l'appareil causés par un accident, l'altération, l'utilisation inadéquate, la mauvaise installation ou l'installation du produit non conforme à ces instructions ou aux codes locaux de l'électricité ou de la plomberie en vigueur. La garantie sera annulée si l'appareil a été installé pour une application commerciale ou industrielle.



Les broyeurs de déchets représentent une solution écologique de remplacement du transport des déchets alimentaires vers les décharges. De plus, ils peuvent contribuer à réduire les émissions de gaz à effet de serre. Les déchets alimentaires sont transformés en solides biologiques à l'usine de traitement des déchets et peuvent être recyclés et utilisés comme engrais. Les gaz biologiques peuvent être récupérés et recyclés en tant que source d'énergie.

InSinkErator® se réserve le droit, à sa seule discrétion, d'apporter en tout temps des améliorations ou des modifications aux spécifications sans préavis ou obligation de sa part, ou de modifier ou de supprimer des modèles.

La configuration du collier de fixation est une marque de commerce de Emerson Electric Co.

Badger® 1, 5, 5XP®, 9, 10s

EMERSON
Appliance Solutions

Le logo Emerson est une marque de commerce et une marque de service de Emerson Electric Co.
Imprimé aux É.-U. © 2008 InSinkErator, InSinkErator® est une division de Emerson Electric Co.
Tous droits réservés